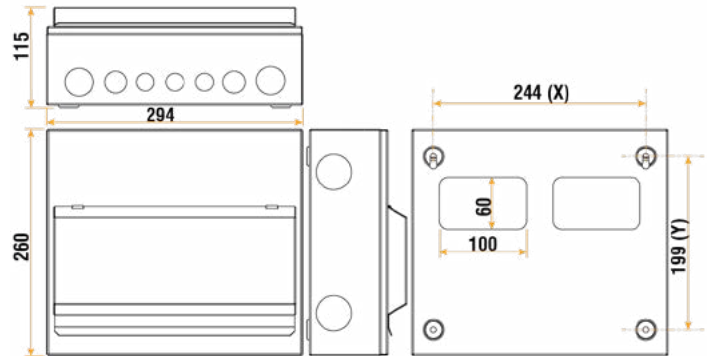


Product Code: CUEB12MS10

Luckinslive 425300000

Description: 12 Way Metal Consumer Unit with 100A Mains Switch (10 Free Ways)



General Information

Dimensions With Door (mm)	294 (W) x 260 (H) x 115 (D)	
Enclosure Dimensions (mm)	294 (W) x 260 (H) x 92 (D)	
Colour	White	
Materials	Enclosure & Cover: Powder Coated Steel	DIN Rail: Galvanised Steel
Rated Operational Voltage (AC) (Ue)	230	
Frequency (Hz)	50/60	
Maximum Rated Current (A) (In)	100	
Free Ways	10	
Total Ways	12	
Device Terminals	Screwed Lug & Pin	
Main Switch Installed	1 x 100A (CU2MS100)	
Main Switch Terminal Capacity (mm ²)	35	Main Switch Terminal Torque (Nm) 2.5
Blanks Supplied	2 (Product Code: CU1BLANK)	
E&N Terminals	Screw	
E&N Bars Capacity (mm ²)	16	E&N Bars Torque (Nm) 2
Tail Clamp Capacity (mm ²)	25	Tail Clamp Torque (Nm) 1.5
Enclosure Side Knockouts (Ømm)	2 x 40	
Enclosure Top Knockouts (Ømm)	4 x 20 & 2 x 40	
Enclosure Bottom Knockouts (Ømm)	3 x 20, 2 x 25 & 2 x 32	
Enclosure Rear Knockouts (mm)	2 x 100 x 60	
Impact Rating	IK05	
Ingress Protection	IP20	
Maximum Humidity (%)	95	
Storage Temperature (°C)	-40 to +75	
Operational Temperature (°C)	-5 to +40	
Warranty (Years)	10	Warranty - Devices (Years) 3

Standards BS EN 61439-3, BS EN 60947-3

Additional Information

For cleaning / polishing of products, use only a soft, dry, clean cloth.
 Elucian metal consumer units allow compliance with BS 7671 Wiring Regulations

