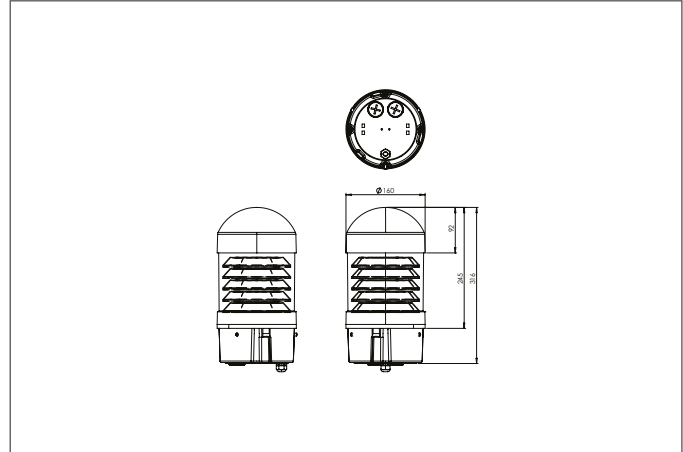




Product Code: **OBDL24-E-B**

Luckinslive **438592575**

**Description:** 14-24W Power Switchable LED Domed Louvered 1 Metre Bollard Head IP65 With CCT & Self-Test Emergency Black



### General Information

Dimensions (mm)	160 (Dia.) x 1005 (H) (When complete With Post)
Materials	Body: Powder Coated Aluminium; Diffuser: Polycarbonate
Colour	Black
Bezel Colour	Black
RAL Number	(RAL9017)
Product Weight (Kg)	2.59
Ingress Protection	IP65
Impact Rating (IK)	08
Mounting	Bolt fixing on to post
Warranty (Years)	5
Battery Warranty (Years)	5

### Supply & Power Information

Continuous Operating Voltage (AC) (Hz)	100-277 (50/60)
Safety Class	I
Power Switchable	Yes
Circuit Wattage (W)	16/21/26
LED Wattage (W)	14/19/24
Input Current (mA)	350
Inrush Current/Time	76.8A (174µs)
Power Factor	>0.9
Driver Information	Integrated
Operating Temperature (°C)	0 to +45
Maximum Critical Temperature (°C)	90
Input Terminations	Lever Terminals
Cable Input Accessories	Q-Nect QOE8332BLK Connector Box Supplied

### Luminaire Output

<b>LED Wattage</b>	<b>14</b>	<b>19</b>	<b>24</b>
<b>Circuit Wattage</b>	<b>16</b>	<b>21</b>	<b>26</b>
<b>Colour Temperature (K)</b>	<b>3000</b>		
Typical Luminous Flux (lm)	1073	1419	1779
Efficacy (lm/W)	77	75	74
<b>Colour Temperature (K)</b>	<b>4000</b>		
Typical Luminous Flux (lm)	1092	1492	1849
Efficacy (lm/W)	77	75	74
<b>Colour Temperature (K)</b>	<b>6000</b>		
Typical Luminous Flux (lm)	1076	1444	1818
Efficacy (lm/W)	77	75	74
Emergency Luminous Flux (lm)	273/271/274		
Beam Angle (°)	360		
Colour Rendering Index (CRI)	70		
LED Lifetime (L70) (Hours)	54000		

### Default Settings

CCT: 4000K and Output: 24W

### Emergency Backup Information

Self-Test Facility	Yes
Emergency Luminous Flux (lm)	273/271/274
Battery Specification	6.4V 2000mAh LiFePo4 Battery
Minimum Duration (Hours)	3
Battery Warranty (Years)	5

### Compatible Accessories

- OBP750-B - 750mm Bollard Post Black
- OBIAB-B - Bollard Impact Absorbing Base Black
- OBSG180-B - 180° Bollard Head Shield Guard Black
- IFR18650 - 6.4V 2000mAh LiFePo4 Battery



OVIA Limited, Scolmore House, Mariner, Lichfield Road Industrial Estate, Tamworth, Staffordshire, B79 7UL United Kingdom  
**T:** +44 (0)1827 300640  
**E:** sales@oviaUK.com | **W:** oviaUK.com



CLICK OR SCAN

Catalogue



Section



DoC



Installation



CLICK OR SCAN