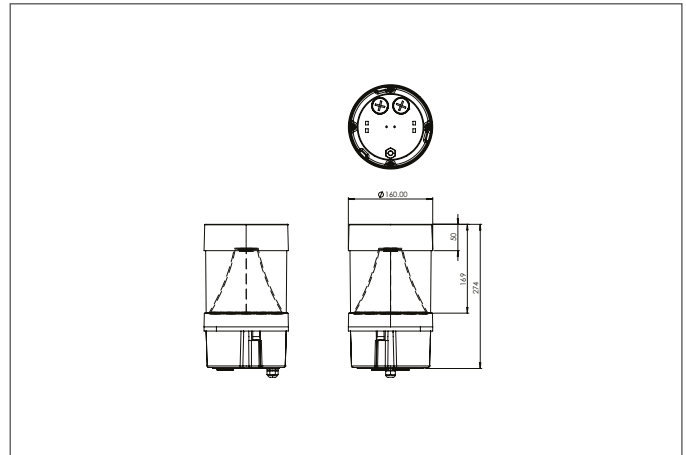
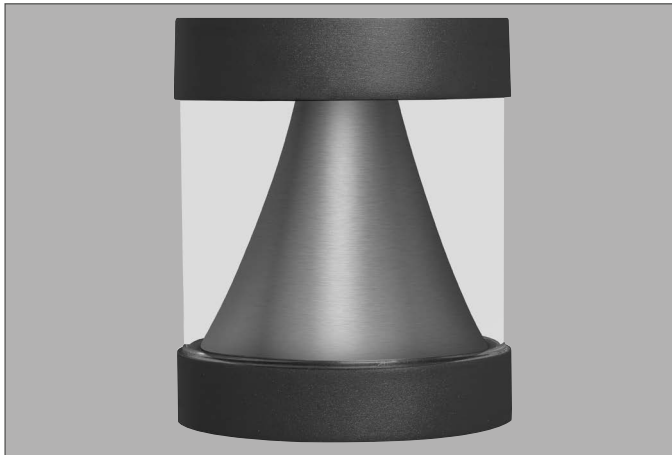




Product Code: **OBF24-AG**

Luckinslive **438592630**

Description: 14-24W Power Switchable LED Flat Cone 1 Metre Bollard Head IP65 With CCT Anthracite Grey



General Information

Dimensions (mm)	160 (Dia.) x 963 (H) (When complete With Post)
Materials	Body: Powder Coated Aluminium; Diffuser: Polycarbonate
Colour	Anthracite Grey
Bezel Colour	Anthracite Grey
RAL Number	(RAL7016)
Product Weight (Kg)	3.5
Ingress Protection	IP65
Impact Rating (IK)	08
Mounting	Bolt fixing on to post
Warranty (Years)	5

Supply & Power Information

Continuous Operating Voltage (AC) (Hz)	100-277 (50/60)
Safety Class	I
Power Switchable	Yes
Circuit Wattage (W)	14/19/24
LED Wattage (W)	14/19/24
Input Current (mA)	350
Inrush Current/Time	76.8A (174µs)
Power Factor	>0.9
Driver Information	Integrated
Operating Temperature (°C)	-40 to +70
Maximum Critical Temperature (°C)	90
Input Terminations	Lever Terminals
Cable Input Accessories	Q-Nect QOE8332BLK Connector Box Supplied

Luminaire Output

LED Wattage	14	19	24
Circuit Wattage	14	19	24
Colour Temperature (K)	3000		
Typical Luminous Flux (lm)	2011	2696	3414
Efficacy (lm/W)	144	142	142
Colour Temperature (K)	4000		
Typical Luminous Flux (lm)	2090	2818	3572
Efficacy (lm/W)	144	142	142
Colour Temperature (K)	6000		
Typical Luminous Flux (lm)	2101	2807	3543
Efficacy (lm/W)	144	142	142
Beam Angle (°)	360		
Colour Rendering Index (CRI)	70		
LED Lifetime (L70) (Hours)	54000		

Default Settings

CCT: 4000K and Output: 24W

Compatible Accessories

- OBP750-AG - 750mm Bollard Post Anthracite Grey
- OBIAB-AG - Bollard Impact Absorbing Base Anthracite Grey
- OBSG180-AG - 180° Bollard Head Shield Guard Anthracite Grey



OVIA Limited, Scolmore House, Mariner, Lichfield Road Industrial Estate, Tamworth, Staffordshire, B79 7UL United Kingdom
 T: +44 (0)1827 300640
 E: sales@oviaUK.com | W: oviaUK.com



CLICK OR SCAN

Catalogue



Section



DoC



Installation



CLICK OR SCAN