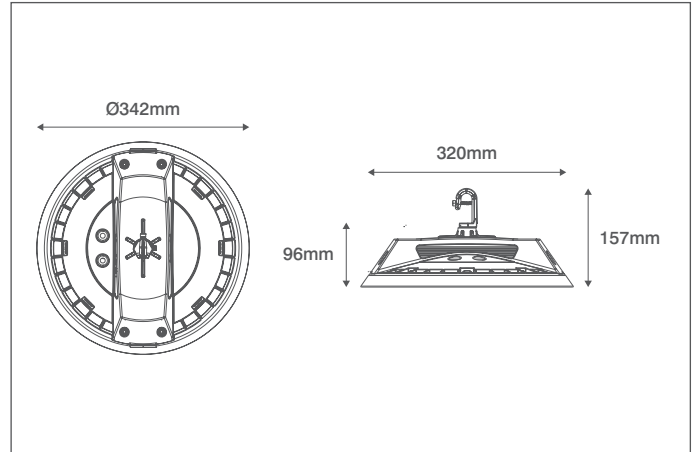


INCEPTOR® HION

Technical Specification

Product Code: OV100100

Description: 100W LED 1-10V Dimmable Highbay - IP65 - 4000K - Black



General Information

| | |
|--------------------|---|
| Dimensions | 342mm Diameter x 157mm (D) (With Hook) |
| Materials | Body: Powdercoated Aluminium Diffuser: Polycarbonate |
| Finish | Black (RAL 9004) |
| Product Weight | 3.65Kg |
| Dimmable | Yes - 0(1)-10V |
| Ingress Protection | IP65 |
| IK Rating | IK10 |
| Hook Thread | G1/2 x 19.8mm |
| Warranty | 6 Years |

Supply & Power

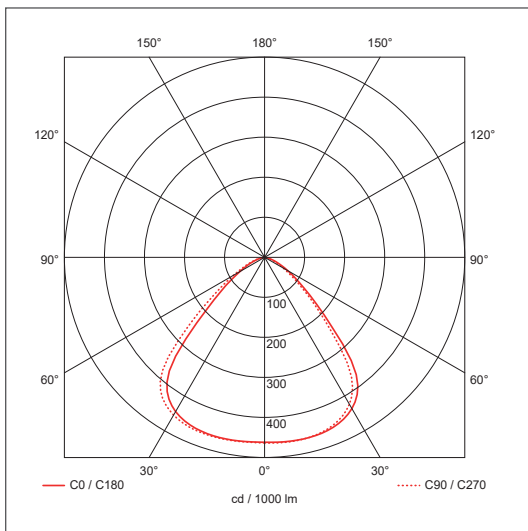
| | |
|---------------------------|-------------------------------|
| Input Voltage & Frequency | 100-277V~ 50/60Hz |
| Electrical Safety | Class I |
| LED Wattage | 100W |
| Circuit Wattage | 100W |
| Input Current | 600mA |
| Inrush Current | 29.2A (640µs) |
| Power Factor | >=0.95 |
| Ambient Temperature (Ta) | -40°C - +45°C |
| Critical Temperature | >65°C @25°C |
| Input Mains Cable | 3 x 1mm² H05-RNF (3 Metres) |
| 0(1)-10V Input Cable | 2 x 20 AWG (3 Metres) - Black |

Accessories

| | |
|----------|---|
| OVWB1092 | Bracket For 100W & 150W Inceptor® Hion Highbay Fittings |
| OVBHDACV | High Bay IP67 DALI Signal Converter |

Luminaire Output

| | |
|-----------------------|--------------|
| Colour Temperature | 4000K |
| CRI | 70 |
| Typical Luminous Flux | 14630lm |
| Efficacy | 144lm/W |
| Beam Angle | 90° |
| LED Lifetime (L70) | 54,000 Hours |



Ovia Limited, Scolmore House, Mariner, Lichfield Road Industrial Estate, Tamworth, Staffordshire, B79 7UL United Kingdom

T: +44 (0)1827 300640

E: sales@oviaUK.com | W: oviaUK.com