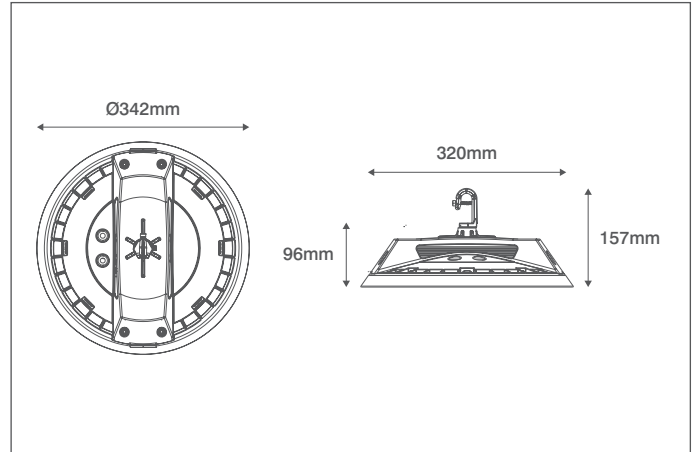


INCEPTOR® HION

Technical Specification

Product Code: OV100150

Description: 150W LED 1-10V Dimmable Highbay - IP65 - 4000K - Black



General Information

Dimensions	342mm Diameter x 157mm (D) (With Hook)
Materials	Body: Powdercoated Aluminium Diffuser: Polycarbonate
Finish	Black (RAL 9004)
Product Weight	3.65Kg
Dimmable	Yes - 0(1)-10V
Ingress Protection	IP65
IK Rating	IK10
Hook Thread	G1/2 x 19.8mm
Warranty	6 Years

Supply & Power

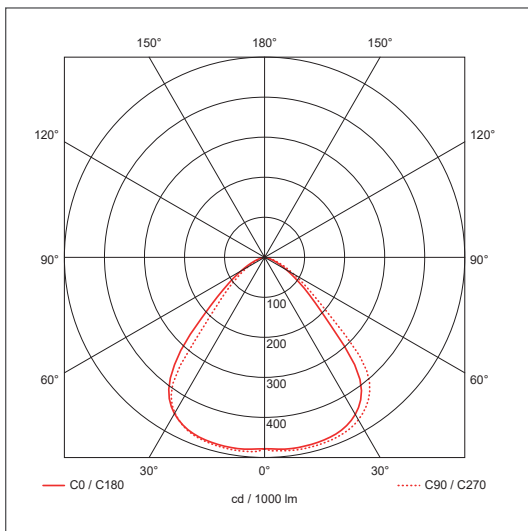
Input Voltage & Frequency	100-277V~ 50/60Hz
Electrical Safety	Class I
LED Wattage	150W
Circuit Wattage	150W
Input Current	1200mA
Inrush Current	53A (436µs)
Power Factor	>=0.95
Ambient Temperature (Ta)	-40°C - +45°C
Critical Temperature	>65°C @25°C
Input Mains Cable	3 x 1mm² H05-RNF (3 Metres)
0(1)-10V Input Cable	2 x 20 AWG (3 Metres) - Black

Accessories

OVWB1092	Bracket For 100W & 150W Inceptor® Hion Highbay Fittings
OVBHDACV	High Bay IP67 DALI Signal Converter

Luminaire Output

Colour Temperature	4000K
CRI	70
Typical Luminous Flux	21750lm
Efficacy	142lm/W
Beam Angle	90°
LED Lifetime (L70)	54,000 Hours



Ovia Limited, Scolmore House, Mariner, Lichfield Road Industrial Estate, Tamworth, Staffordshire, B79 7UL United Kingdom

T: +44 (0)1827 300640

E: sales@oviaUK.com | W: oviaUK.com