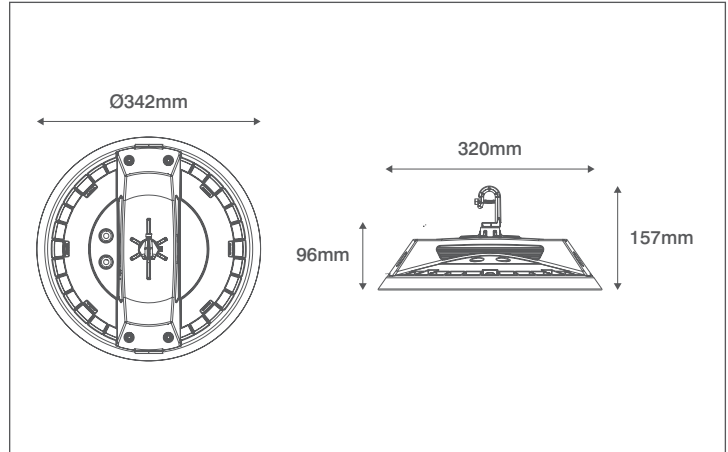


INCEPTOR® HION

Technical Specification

Product Code: OV100150SEM

Description: 150W LED 1-10V Dimmable Highbay With Microwave & Emergency - IP65 - 4000K
- Black

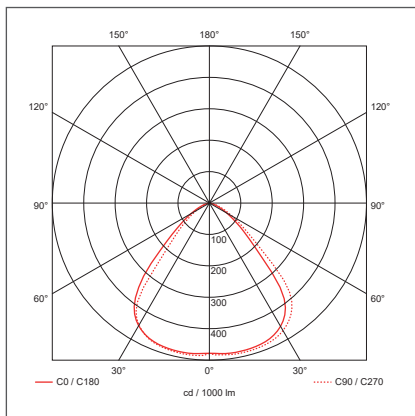


General Information

Highbay Dimensions	342mm Diameter x 157mm (D) (With Hook)
Materials	Highbay Body: Powdercoated Aluminium
	Highbay Diffuser: Polycarbonate
	EM Pack Cover: Polycarbonate
	EM Pack Base: Powdercoated Steel
Finish	Black (RAL 9004)
Product Weight	5.37Kg
Dimmable	Yes - Via the microwave sensor and remote
Ingress Protection	IP65
IK Rating	IK10
Hook Thread	G1/2 x 19.8mm
Warranty	6 Years (4 Years Battery)

Supply & Power

Input Voltage & Frequency	220-240V~ 50/60Hz
Electrical Safety	Class I
LED Wattage	150W
Circuit Wattage	155W
Inrush Current	53A (436µs)
Ambient Temperature (Ta)	0°C - +40°C (Emergency Pack)
Critical Temperature	+50°C (Emergency Pack)
Input Mains	1 Metre Flylead From Emergency Pack



Luminaire Output

Colour Temperature	4000K
CRI	70
Typical Luminous Flux	21800lm
Efficacy	141lm/W
Emergency Luminous Flux	2180 (10%)
Beam Angle	90°
LED Lifetime (L70)	54,000 Hours

Microwave Sensor Information

Mounting Height	15 Metres Maximum
Sensor Detection Range	15 Metres x 12 Metres (Ceiling Mounted), 20 Metres (Wall Mounted)
Remote Control	OVCGBIRR required to adjust settings below**
**Detection Range	25%, 50%, 75%, 100%
**Hold Time	5s, 30s, 1min, 3min, 5min, 10min, 20 min, 30min
**Daylight Threshold	2Lux, 10Lux, 30Lux, 50Lux, 80Lux, 120Lux, Disable
**Standby Period	0s, 10s, 30s, 1min, 5min, 10min, 30min, ∞ +
**Standby Dimming Level	10%, 20%, 30%, 50%
Default Setting (When Supplied)	The microwave sensor is disabled allowing for manual ON and OFF operation.

Emergency Information

Input Current	<80mA Max.
Output Voltage	<55V DC
Battery Specification	4.8V 4Ah Ni-Cd
Installation Requirements	Maintained
Emergency Duration	3 Hours Minimum
Dimensions	380mm (L) x 123mm (W) x 56.5mm (H)

Accessories

OVWB1092	Bracket For 100W & 150W Inceptor® Hion Highbay Fittings
OVCGBIRR	Remote Control For Inceptor® Hion Microwave Fittings
OVEMCL05	Highbay Emergency Pack Coupler Leads – 0.5M (Pair)
OVEMCL1	Highbay Emergency Pack Coupler Leads – 1M (Pair)



Ovia Limited, Scolmore House, Mariner, Lichfield Road Industrial Estate, Tamworth, Staffordshire, B79 7UL United Kingdom

T: +44 (0)1827 300640

E: sales@oviaUK.com | W: oviaUK.com