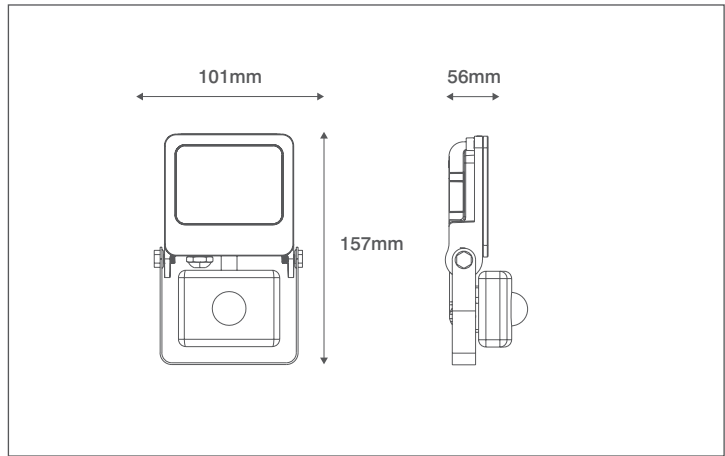


Product Code: OV10110BKCWPIR

Description: 10W LED Floodlight With PIR - IP44 - 4000K - Black



General Information

| | |
|--------------------|---|
| Dimensions | 101mm (W) x 157mm (H) x 56mm (D) |
| Materials | Body: Powdercoated Aluminium Diffuser: Prismatic Glass |
| Finish | Black (RAL 9004) |
| Product Weight | 0.315Kg |
| Dimmable | No |
| Ingress Protection | IP44 |
| IK Rating | IK06 |
| Warranty | 3 Years |

Supply & Power

| | |
|---------------------------|--|
| Input Voltage & Frequency | 240V ~ 50/60Hz |
| Electrical Safety | Class I |
| Input Power | 10W |
| Input Current | 46mA |
| Inrush Current | 0.036A (84µs) |
| Power Factor | 0.9 |
| Ambient Temperature (Ta) | -10°C - +45°C |
| Critical Temperature | -40°C - +70°C |
| Input Mains Cable | 3 x 1mm ² H05-RNF (1 Metre) |

Luminaire Output

| | |
|-----------------------|--------------|
| Colour Temperature | 4000K |
| CRI | >80 |
| Typical Luminous Flux | 800lm |
| Efficacy | 80lm/W |
| Beam Angle | 110° |
| LED Lifetime (L70) | 30,000 Hours |

PIR Information

| | |
|--------------------|----------------------------------|
| Detection Angle | 180° |
| Detection Distance | 10 Metres |
| Time Delay | 10 Seconds - 10 Minutes |
| Lux Level | 2 Lux Minimum 2000 Lux (Maximum) |

