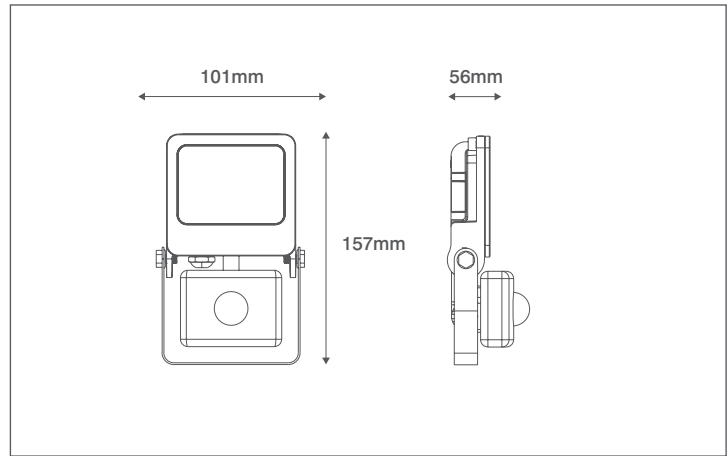


Product Code: OV10110WHWWPIR

Description: 10W LED Floodlight With PIR - IP44 - 3000K - White



### General Information

Dimensions	101mm (W) x 157mm (H) x 56mm (D)
Materials	Body: Powdercoated Aluminium Diffuser: Prismatic Glass
Finish	White (RAL 9003)
Product Weight	0.315Kg
Dimmable	No
Ingress Protection	IP44
IK Rating	IK06
Warranty	3 Years

### Supply & Power

Input Voltage & Frequency	240V ~ 50/60Hz
Electrical Safety	Class I
Input Power	10W
Input Current	46mA
Inrush Current	0.036A (84µs)
Power Factor	0.9
Ambient Temperature (Ta)	-10°C - +45°C
Critical Temperature	-40°C - +70°C
Input Mains Cable	3 x 1mm <sup>2</sup> H05-RNF (1 Metre)

### Luminaire Output

Colour Temperature	3000K
CRI	>80
Typical Luminous Flux	700lm
Efficacy	70lm/W
Beam Angle	110°
LED Lifetime (L70)	30,000 Hours

### PIR Information

Detection Angle	180°
Detection Distance	10 Metres
Time Delay	10 Seconds - 10 Minutes
Lux Level	2 Lux Minimum 2000 Lux (Maximum)

