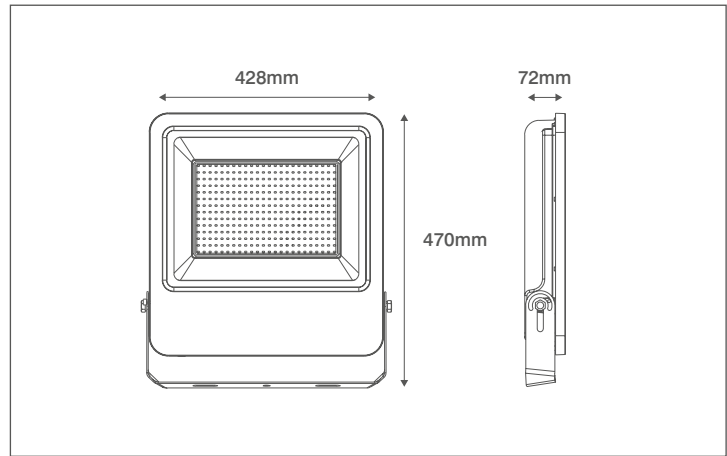


Product Code: OV101300BKCW

Description: 300W LED Floodlight - IP65 - 4000K - Black



General Information

Dimensions	428mm (W) x 470mm (H) x 72mm (D)
Materials	Body: Powdercoated Aluminium Diffuser: Prismatic Glass
Finish	Black (RAL 9004)
Product Weight	6.8Kg
Dimmable	No
Ingress Protection	IP65
IK Rating	IK07
Warranty	3 Years

Supply & Power

Input Voltage & Frequency	220-240V~ 50/60Hz
Electrical Safety	Class I
Input Power	300W
Input Current	46mA
Inrush Current	1.175A (130µs)
Power Factor	0.9
Ambient Temperature (Ta)	-20°C - +45°C
Critical Temperature	-40°C - +70°C
Input Mains Cable	3 x 1mm ² H05-RNF (1 Metre)

Luminaire Output

Colour Temperature	4000K
CRI	>80
Typical Luminous Flux	24000lm
Efficacy	80lm/W
Beam Angle	110°
LED Lifetime (L70)	30,000 Hours

