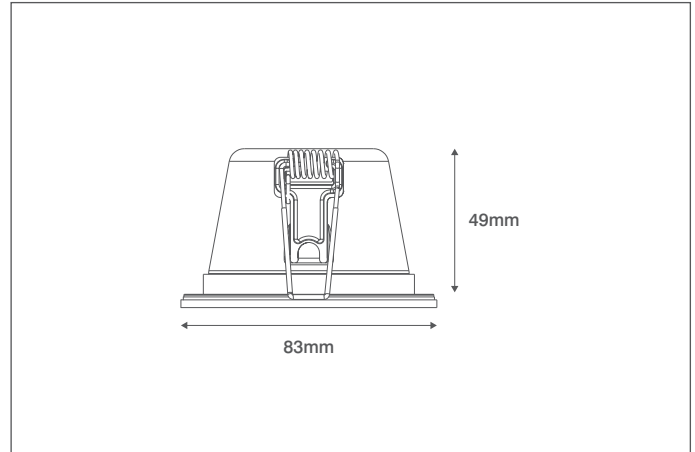


# PICO FG

## Technical Specification

Product Code: OV3600CH5CD

Description: 5.5W LED Fire Rated Dimmable Downlight - IP65 - 4000K - Chrome



### General Information

Dimensions	83mm Diameter x 52mm (D)
Materials	Front Bezel: ABS Rear Housing: Powdercoated Steel
Finish	Polished Chrome
Product Weight	0.165Kg
Cutout	70-75mm Diameter
Dimmable	Yes
Ingress Protection	IP65
Warranty	2 Years

### Supply & Power

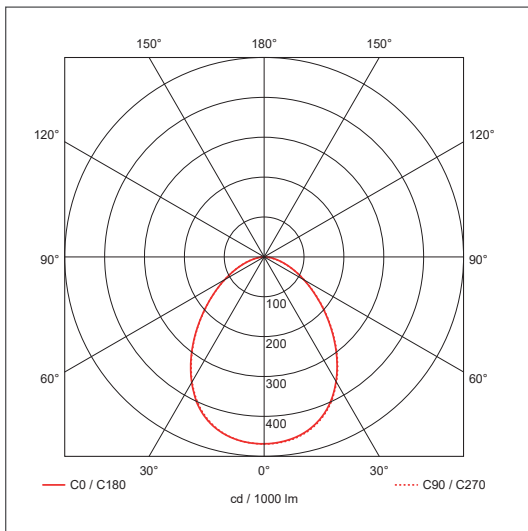
Input Voltage & Frequency	220-240V~ 50/60Hz
Electrical Safety	Class II (Double Insulated)
Circuit Wattage	5.5W
Input Current	32mA
Inrush Current	1.2A (15 $\mu$ s)
Power Factor	0.8
Ambient Temperature (Ta)	-15°C - +40°C
Critical Temperature	+80°C
LED Driver	Integrated

### Accessories

OVSP3120CH	130mm Diameter (75mm Aperture) Converter Plate - Chrome
OVIS1020	Insulation Support Bracket
OVEMCG2305M3	3 Hour Universal Emergency Pack with prewired Flow™ Connectors

### Luminaire Output

Colour Temperature	4000K
CRI	>80
Typical Luminous Flux	380lm
Efficacy	69lm/W
Beam Angle	90°
LED Lifetime (L70)	20,000 Hours



### Additional Approvals

Fire Rating	30 Minutes: 'I' Joists, Metal Web and Solid Timber Joists
	60 Minutes: 'I' Joists, Metal Web and Solid Timber Joists
	90 Minutes: Solid Timber Joists
Acoustic Rating	0dB (zero impact on sound insulation)
Air Flow™	BS 5250: 2011 compliant



Ovia Limited, Scolmore House, Mariner, Lichfield Road Industrial Estate, Tamworth, Staffordshire, B79 7UL United Kingdom

T: +44 (0)1827 300640

E: sales@oviaUK.com | W: oviaUK.com