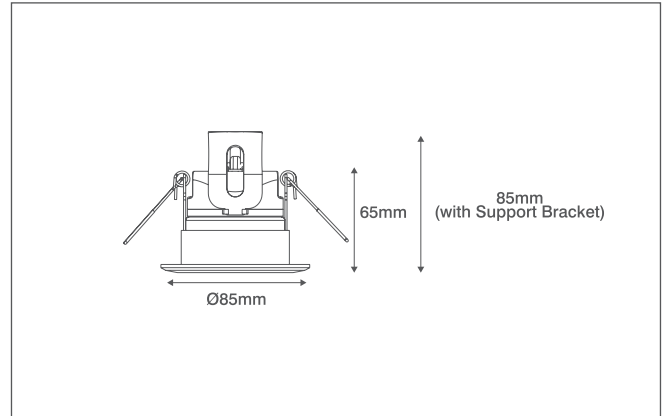


INCEPTOR® OMNI

Technical Specification

Product Code: OV4600SC7D

Description: 7W LED Fixed Dimmable Downlight With CTA Switch - IP65 - Satin Chrome



General Information

Dimensions	85mm Diameter x 65mm (D)	
Materials	Bezel: Aluminium (Plated or Powdercoated)	Rear Frame: Steel
	Rear Housing: ABS	Lens: Polycarbonate
Finish	Satin Chrome	
Product Weight	0.375Kg	
Cutout	65-70mm Diameter	
Dimmable	Yes	
Ingress Protection	IP65	
Airflow (BS 5250)	0.06m ³ /h m ² at a pressure difference of 2 Pa	
Warranty	5 Years (Registered)	

Supply & Power

Input Voltage & Frequency	220-240V~ 50Hz	
Electrical Safety	Class II (Double Insulated)	
Circuit Wattage	7W	
Input Current	40mA	
Power Factor	0.9	
Ambient Temperature (Ta)	-15°C - +40°C	
Critical Temperature	+80°C	
LED Driver	Integrated	
Prewired Flow™ Connector	Yes (3 Pole CT100-F Screw Terminals)	

Luminaire Output

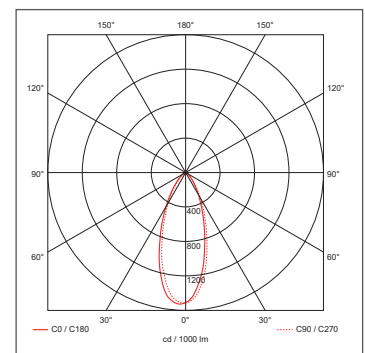
Colour Temperature	2700K	4200K	6500K
Typical Luminous Flux	430lm	480lm	450lm
Efficacy	61lm/W	69lm/W	64lm/W
Beam Angle	40°	50°	65°
CRI	>80		
Adjustable Bezel Angle	15° (OVZ4605SC)		
LED Lifetime (L70)	25,000 Hours		

Accessories

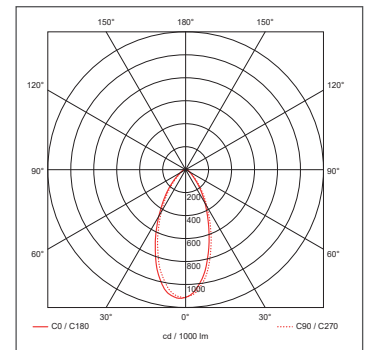
OVBZ4605SC	Adjustable Satin Chrome Bezel For Inceptor® Omni
OVSP3120SC	130mm Diameter Converter Plate - Satin Chrome

Additional Approvals

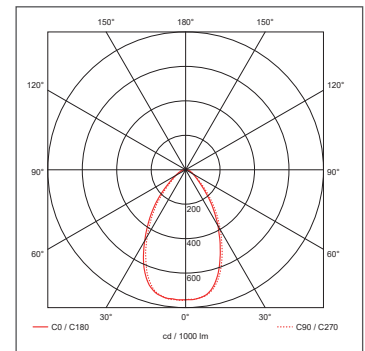
Fire Rating	30 Minutes: 'I' Joists, Metal Web and Solid Timber Joists
	60 Minutes: 'I' Joists, Metal Web and Solid Timber Joists
	90 Minutes: Solid Timber Joists
Acoustic Rating	0dB (zero impact on sound insulation)
Air Flow™	BS 5250: 2011 compliant



2700K



4200K



6500K



Ovia Limited, Scolmore House, Mariner, Lichfield Road Industrial Estate, Tamworth, Staffordshire, B79 7UL United Kingdom

T: +44 (0)1827 300640

E: sales@oviaUK.com | W: oviaUK.com