

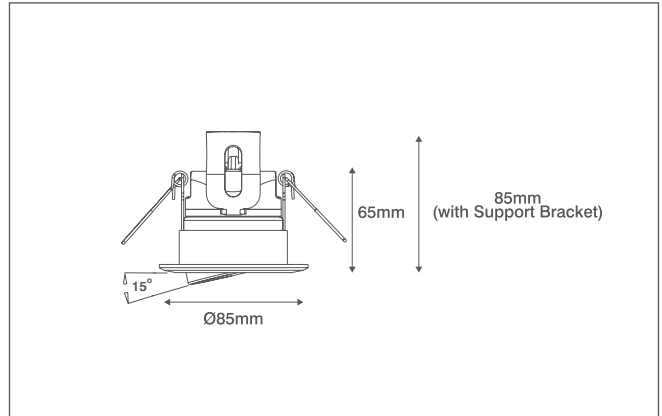
# INCEPTOR® OMNI

## Technical Specification



**Product Code:** OV4605CH7D3EM

**Description:** 7W LED Adjustable Dimmable Downlight With CTA Switch & Emergency - IP54 - Chrome



### General Information

<b>Downlight Dimensions</b>	85mm Diameter x 65mm (D)	
<b>Materials</b>	Bezel: Aluminium (Plated or Powdercoated)	Rear Frame: Steel
	Rear Housing: ABS Lens: Polycarbonate	
<b>Finish</b>	Polished Chrome	
<b>Product Weight</b>	1.03Kg	
<b>Cutout</b>	65-70mm Diameter	
<b>Dimmable</b>	Yes	
<b>Ingress Protection</b>	IP54	
<b>Airflow (BS 5250)</b>	0.06m <sup>3</sup> /h m <sup>2</sup> at a pressure difference of 2 Pa	
<b>Warranty</b>	5 Years (Registered) (4 Years Battery)	

### Supply & Power

<b>Input Voltage &amp; Frequency</b>	220-240V~ 50Hz	
<b>Electrical Safety</b>	Class II (Double Insulated)	
<b>Circuit Wattage</b>	7W	
<b>Input Current</b>	40mA	
<b>Power Factor</b>	0.9	
<b>Ambient Temperature (Ta)</b>	-5°C - +40°C (Emergency Pack)	
<b>LED Driver</b>	Integrated	
<b>Prewired Flow™ Connector</b>	Yes (4 Pole CT203-F With Screw Terminals)	

### Luminaire Output

	2700K	4200K	6500K
<b>Colour Temperature</b>	2700K	4200K	6500K
<b>Typical Luminous Flux</b>	430lm	480lm	450lm
<b>Efficacy</b>	61lm/W	69lm/W	64lm/W
<b>Emergency Luminous Flux</b>	258lm	288lm	270lm
<b>Beam Angle</b>	40°	50°	65°
<b>CRI</b>	>80		
<b>Tilt Angle</b>	15°		
<b>LED Lifetime (L70)</b>	25,000 Hours		

### Emergency Pack Information

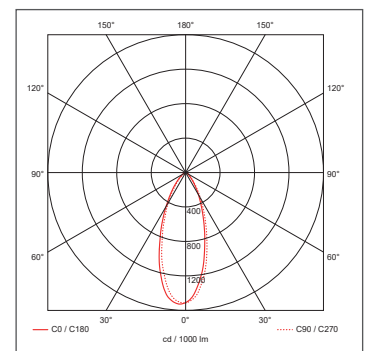
<b>Power Consumption</b>	4W
<b>Input Current</b>	25mA Max.
<b>Charge Current</b>	70-95mA
<b>Output Voltage</b>	70-250V
<b>Output Current</b>	50mA
<b>Earth Leakage Current</b>	<0.5mA
<b>Battery Specification</b>	10.8V 2.2Ah Ni-MH
<b>Charging Time</b>	48 Hours
<b>Installation Requirements</b>	Can be wired as maintained or non-maintained
<b>Emergency Duration</b>	3 Hours Minimum

### Accessories

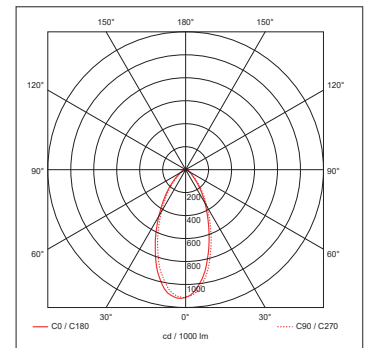
<b>OVSP3120CH</b>	130mm Diameter Converter Plate - Chrome
-------------------	---

### Additional Approvals

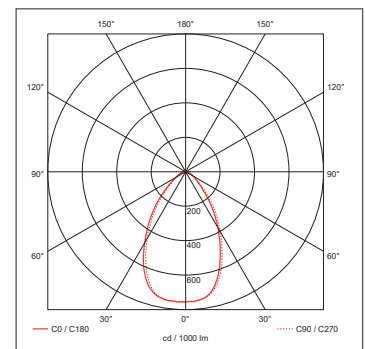
<b>Fire Rating</b>	30 Minutes: 'I' Joists, Metal Web and Solid Timber Joists 60 Minutes: 'I' Joists, Metal Web and Solid Timber Joists 90 Minutes: Solid Timber Joists
<b>Acoustic Rating</b>	0dB (zero impact on sound insulation)
<b>Air Flow™</b>	BS 5250: 2011 compliant



2700K



4200K



6500K



Ovia Limited, Scolmore House, Mariner, Lichfield Road Industrial Estate, Tamworth, Staffordshire, B79 7UL United Kingdom

**T:** +44 (0)1827 300640

**E:** sales@oviaUK.com | **W:** oviaUK.com