

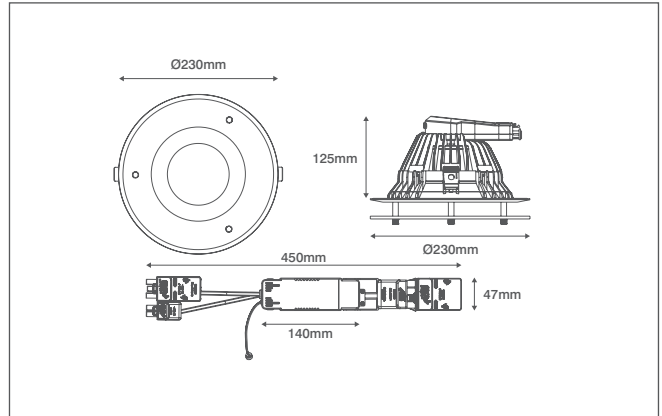
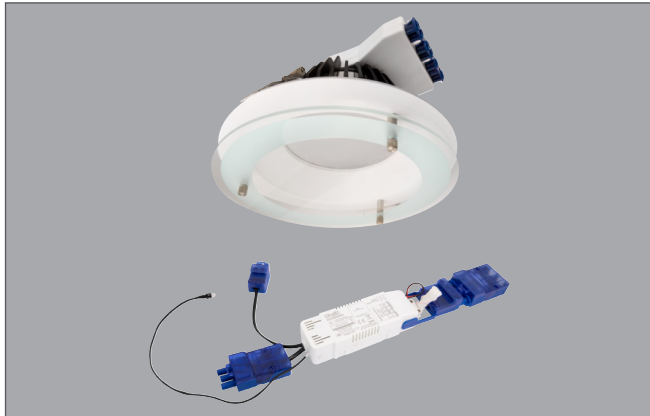
# INCEPTOR® IONA

## Technical Specification



**Product Code:** OV65208CTASDGL3EM

**Description:** 20W 230mm Diameter Switch Dimmable Downlight With Drop Glass CTA Switch - IP44 - White



### General Information

<b>Dimensions</b>	230mm Diameter x 125mm (D)
<b>Materials</b>	Bezel & Heatsink: Powdercoated Aluminium Diffuser: Polycarbonate Engine Housing: Polycarbonate
<b>Finish</b>	White (RAL 9003)
<b>Product Weight</b>	1.69Kg
<b>Cutout</b>	190mm Diameter
<b>Dimmable</b>	Yes (Switch Dim)
<b>Ingress Protection</b>	IP44
<b>Warranty</b>	5 Years (4 Years Battery)

### Supply & Power

<b>Input Voltage &amp; Frequency</b>	220-240V~ 50/60Hz
<b>Electrical Safety</b>	Class II (Double Insulated)
<b>LED Wattage</b>	20W
<b>Circuit Wattage</b>	21.3W
<b>Input Current</b>	110mA
<b>In-rush Current</b>	4.22A (91.2µs)
<b>Power Factor</b>	>0.9
<b>Ambient Temperature (Ta)</b>	0°C - +25°C
<b>Critical Temperature</b>	+80°C
<b>LED Driver</b>	Integrated
<b>Prewired Flow™ Connector</b>	Yes (4 Pole CT205-F Push-fit Terminals)
<b>Dimming Input Termination</b>	2 Pole Flow™ Connector (CT001-F)

### Luminaire Output

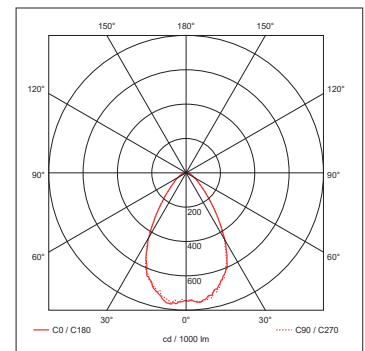
Colour Temperature	2700K	4000K	6500K
<b>Typical Luminous Flux</b>	1300lm	1450lm	1400lm
<b>Efficacy</b>	65lm/W	73lm/W	70lm/W
<b>Emergency Luminous Flux</b>	73lm	77lm	81lm
<b>Beam Angle</b>	75°		
<b>CRI</b>	>80		
<b>LED Lifetime (L70)</b>	50,000 Hours		

### Emergency Pack Information (OVCGEM6500)

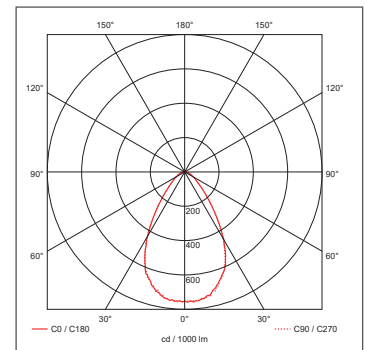
<b>Installation Requirements</b>	Can be installed as maintained or non-maintained
<b>Battery Specification</b>	4.8V 2000mAh Ni-MH
<b>Emergency Duration</b>	3 Hours Minimum

### Additional Information

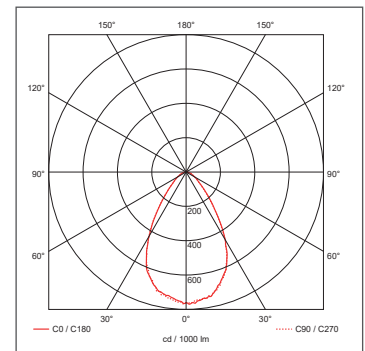
4.6V DC Switch Dim voltage supplied by the fitting



2700K



4000K



6500K



OVIA Limited, Scolmore House, Mariner, Lichfield Road Industrial Estate,  
Tamworth, Staffordshire, B79 7UL United Kingdom

**T:** +44 (0)1827 300640

**E:** sales@oviaUK.com | **W:** oviaUK.com