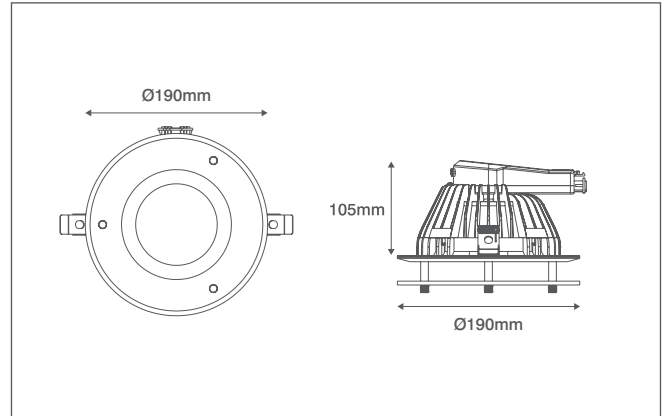


INCEPTOR® IONA

Technical Specification

Product Code: OV65306CTAGL

Description: 30W 190mm Diameter Downlight With Drop Glass & CTA Switch - IP44 - White



General Information

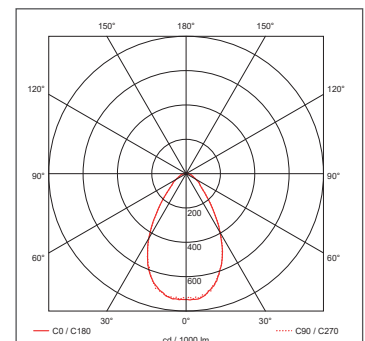
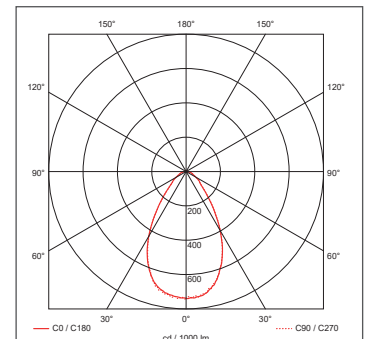
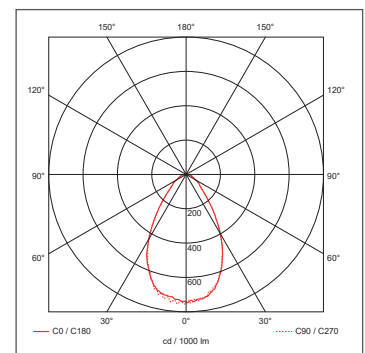
Dimensions	190mm Diameter x 105mm (D)
Materials	Bezel & Heatsink: Powdercoated Aluminium Diffuser: Polycarbonate Engine Housing: Polycarbonate
Finish	White (RAL 9003)
Product Weight	1.035Kg
Cutout	170mm Diameter
Dimmable	No
Ingress Protection	IP44
Warranty	5 Years

Supply & Power

Input Voltage & Frequency	220-240V~ 50/60Hz
Electrical Safety	Class II (Double Insulated)
LED Wattage	30W
Circuit Wattage	30W
Input Current	160mA
In-rush Current	4.44A (79.2µs)
Power Factor	>0.9
Ambient Temperature (Ta)	-15°C - +25°C
Critical Temperature	+80°C
LED Driver	Integrated
Prewired Flow™ Connector	Yes (3 Pole CT105-F Push-fit Terminals)

Luminaire Output

Colour Temperature	2700K	4000K	6500K
Typical Luminous Flux	2000lm	2300lm	2250lm
Efficacy	67lm/W	77lm/W	75lm/W
Beam Angle	75°		
CRI	>80		
LED Lifetime (L70)	50,000 Hours		



OVIA Limited, Scolmore House, Mariner, Lichfield Road Industrial Estate,
Tamworth, Staffordshire, B79 7UL United Kingdom

T: +44 (0)1827 300640

E: sales@oviaUK.com | W: oviaUK.com