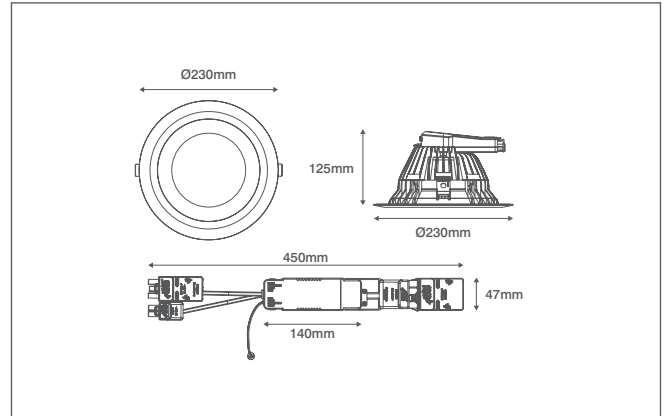


# INCEPTOR® IONA

## Technical Specification

Product Code: OV65308CTAD3EM

Description: 30W 230mm Diameter 1-10V Dimmable Downlight With CTA Switch - IP44 - White



### General Information

Dimensions	230mm Diameter x 125mm (D)
Materials	Bezel & Heatsink: Powdercoated Aluminium Diffuser: Polycarbonate Engine Housing: Polycarbonate
Finish	White (RAL 9003)
Product Weight	1.32Kg
Cutout	190mm Diameter
Dimmable	Yes (1-10V)
Ingress Protection	IP44
Warranty	5 Years (4 Years Battery)

### Supply & Power

Input Voltage & Frequency	220-240V~ 50/60Hz
Electrical Safety	Class II (Double Insulated)
LED Wattage	30W
Circuit Wattage	31.3W
Input Current	110mA
In-rush Current	4.22A (91.2µs)
Power Factor	>0.9
Ambient Temperature (Ta)	0°C - +25°C
Critical Temperature	+80°C
LED Driver	Integrated
Prewired Flow™ Connector	Yes (4 Pole CT205-F Push-fit Terminals)
Dimming Input Termination	2 Pole Flow™ Connector (CT001-F)

### Luminaire Output

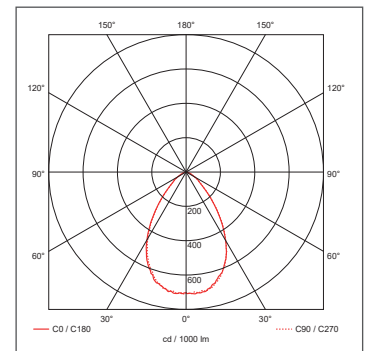
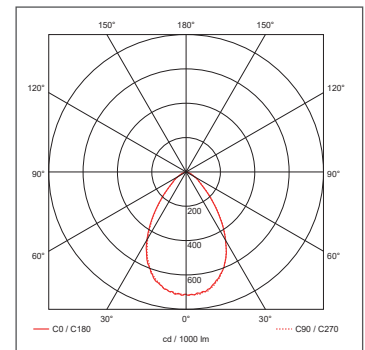
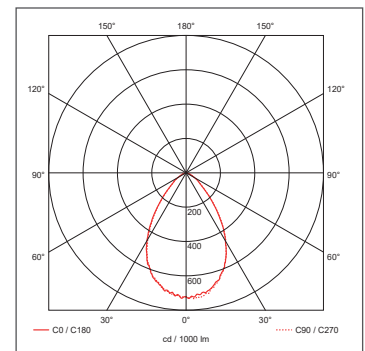
Colour Temperature	2700K	4000K	6500K
Typical Luminous Flux	2200lm	2500lm	2400lm
Efficacy	73lm/W	83lm/W	80lm/W
Emergency Luminous Flux	51lm	53lm	60lm
Beam Angle	75°		
CRI	>80		
LED Lifetime (L70)	50,000 Hours		

### Emergency Pack Information (OVCGEM6500)

Installation Requirements	Can be installed as maintained or non-maintained
Battery Specification	4.8V 2000mAh Ni-MH
Emergency Duration	3 Hours Minimum

### Additional Information

1-10V dimming requires separate mains switch to isolate power



OVIA Limited, Scolmore House, Mariner, Lichfield Road Industrial Estate,  
Tamworth, Staffordshire, B79 7UL United Kingdom

T: +44 (0)1827 300640

E: sales@oviaUK.com | W: oviaUK.com