

INCEPTOR® SLATE BACKLIT UGR

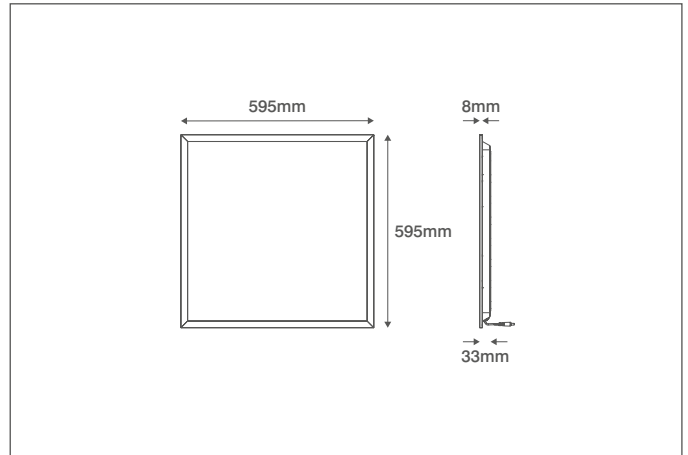
Technical Specification

Product Code: OV751401CWB

Luckinslive 434776133



Description: 40W 600mm x 600mm Backlit Low-Glare LED Panel CW White



General Information

Dimensions (mm)	595 (L) x 595 (W) x 33 (D)
Materials	Frame: Powder Coated Aluminium; Diffuser: Polystyrene; Back Cover: Powder Coated Steel
Colour	White (RAL9003)
Product Weight (Kg)	1.65
Ingress Protection	IP20
Impact Rating (IK)	06
Flammability Rating	TP(a)
Warranty (Years)	5
On Site Warranty	1 Year Unregistered, 2 Year Registered (https://oviauk.com/on_site_warranty)

Supply & Power Information

Continuous Operating Voltage (AC) (Hz)	220-240 (50)
Safety Class	II
Circuit Wattage (W)	40
Input Current (mA)	165
Inrush Current/Time	40A (350uS@220V*)
Power Factor	>0.9
Operating Temperature (°C)	-5 to +40
Critical Temperature (°C)	+85
Driver Information	Remote Driver Supplied
Prewired Flow™ Connector	3 Pole CT105-F Push-fit Terminals

Additional Information

Suspension hooks pre-fitted to the back

Compatible Accessories

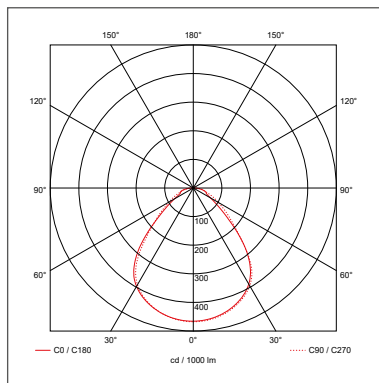
OVCGMF0001 - 240V~ 29-48W Multi-function Dimmable Constant Current LED Driver (48W/1000mA/42VDC Setting)
OVSUSP731 - Suspension Wire Kit
OVREC731 - 600mm x 600mm Recess Frame Kit
OVSURF734 - 600mm x 600mm Surface Frame Kit
OEP4 - 3 Hour Emergency Pack
OEP4ST - 3 Hour Self-Test Emergency Pack

Luminaire Output

Colour Temperature (K)	4000
Colour Render Index (CRI)	>80
Typical Luminous Flux (lm)	4200
Efficacy (lm/W)	105
Beam Angle (°)	90
Flicker Free	Yes
Unified Glare Rating (UGR)	<19
LED Lifetime (L70) (Hours)	50000

Dimming Information

Dimmable	No
----------	----



OVIA Limited, Scolmore House, Mariner, Lichfield Road Industrial Estate,
Tamworth, Staffordshire, B79 7UL United Kingdom

T: +44 (0)1827 300640

E: sales@oviaUK.com | W: oviaUK.com



Catalogue



Section



DoC



Installation

