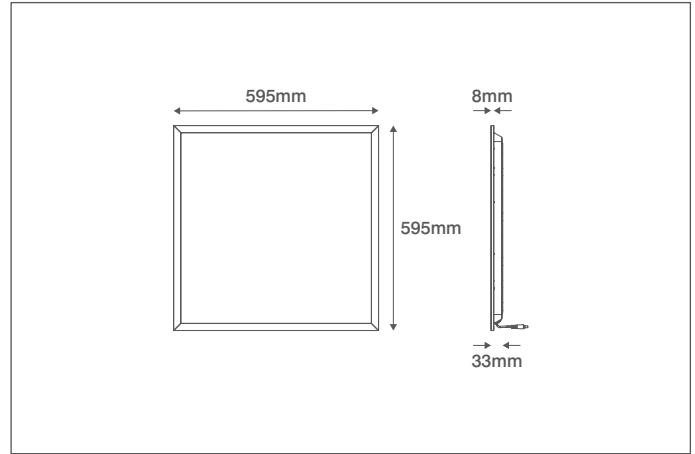
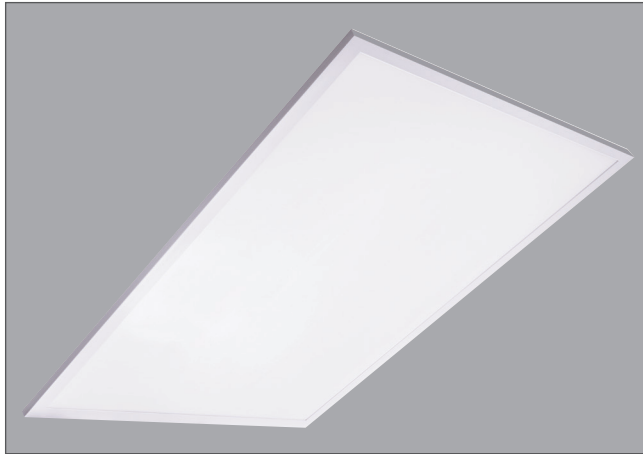


INCEPTOR® SLATE BACKLIT

Technical Specification

Product Code: OV75301CWB

Description: 30W 600mm x 600mm Backlit LED Panel - 4000K - White



General Information

| | |
|---------------------|--|
| Dimensions | 595mm (L) x 595mm (W) x 33mm (D) |
| Materials | Frame: Powdercoated Aluminium Diffuser: Polystyrene Back Cover: Powdercoated Steel |
| Finish | White (RAL 9003) |
| Product Weight | 1.8Kg |
| Dimmable | No |
| Ingress Protection | IP20 |
| Flammability Rating | TP(a) |
| IK Rating | IK06 |
| Warranty | 5 Years |

Supply & Power

| | |
|---------------------------|---|
| Input Voltage & Frequency | 220-240V~ 50Hz |
| Electrical Safety | Class II (Double Insulated) |
| Circuit Wattage | 30W |
| Input Current | 125mA |
| In-rush Current | □40A (350uS@220V~) |
| Power Factor | >0.9 |
| Ambient Temperature (Ta) | -25°C - +45°C |
| Critical Temperature | +90°C |
| LED Driver | Remote Driver Supplied |
| Prewired Flow™ Connector | Yes (3 Pole CT105-F Push-fit Terminals) |

Accessories

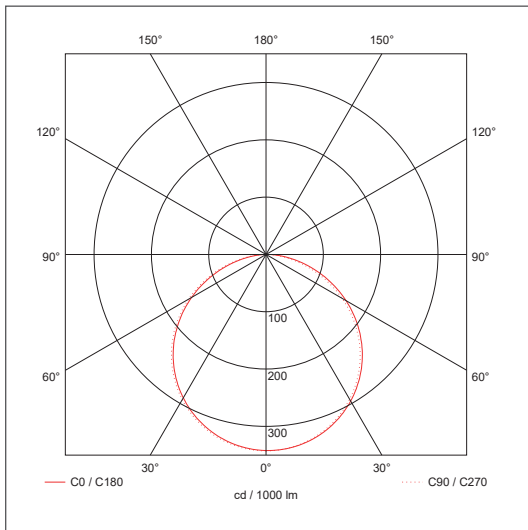
| | |
|------------|--|
| OVEMCG50 | 3 Hour Emergency Pack |
| OVCGMF0001 | 240V~ 29-48W Multi-function Dimmable Constant Current LED Driver (36W Setting) |
| OVSUSP731 | Suspension Wire Kit |
| OVREC731 | 600mm x 600mm Recess Frame Kit |

Luminaire Output

| | |
|-----------------------|--------------|
| Colour Temperature | 4000K |
| CRI | >80 |
| Typical Luminous Flux | 3150lm |
| Efficacy | 105lm/W |
| Beam Angle | 120° |
| LED Lifetime (L70) | 50,000 Hours |
| Flicker Free | No |

Additional Information

Suspension hooks pre-fitted to the back



Ovia Limited, Scolmore House, Mariner, Lichfield Road Industrial Estate, Tamworth, Staffordshire, B79 7UL United Kingdom

T: +44 (0)1827 300640

E: sales@oviaUK.com | W: oviaUK.com