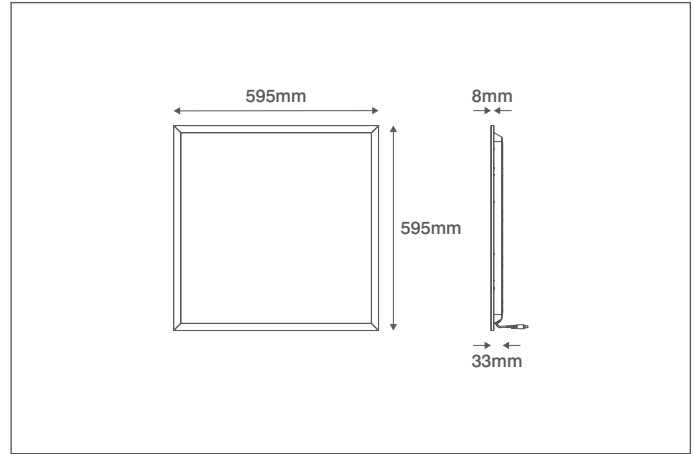


INCEPTOR® SLATE BACKLIT

Technical Specification

Product Code: OV75301DLB

Description: 30W 600mm x 600mm Backlit LED Panel - 6000K - White



General Information

Dimensions	595mm (L) x 595mm (W) x 33mm (D)
Materials	Frame: Powdercoated Aluminium Diffuser: Polystyrene Back Cover: Powdercoated Steel
Finish	White (RAL 9003)
Product Weight	1.8Kg
Dimmable	No
Ingress Protection	IP20
Flammability Rating	TP(a)
IK Rating	IK06
Warranty	5 Years

Supply & Power

Input Voltage & Frequency	220-240V~ 50Hz
Electrical Safety	Class II (Double Insulated)
Circuit Wattage	30W
Input Current	125mA
In-rush Current	□40A (350uS@220V~)
Power Factor	>0.9
Ambient Temperature (Ta)	-25°C - +45°C
Critical Temperature	+90°C
LED Driver	Remote Driver Supplied
Prewired Flow™ Connector	Yes (3 Pole CT105-F Push-fit Terminals)

Accessories

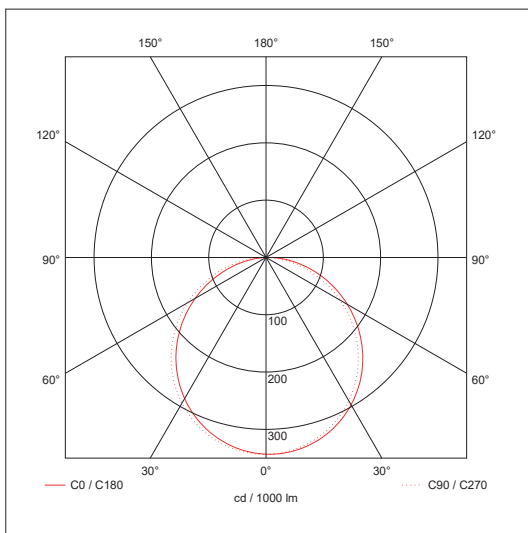
OVEMCG50	3 Hour Emergency Pack
OVCGMF0001	240V~ 29-48W Multi-function Dimmable Constant Current LED Driver (36W Setting)
OVSUSP731	Suspension Wire Kit
OVREC731	600mm x 600mm Recess Frame Kit

Luminaire Output

Colour Temperature	6000K
CRI	>80
Typical Luminous Flux	3200lm
Efficacy	107lm/W
Beam Angle	120°
LED Lifetime (L70)	50,000 Hours
Flicker Free	No

Additional Information

Suspension hooks pre-fitted to the back



Ovia Limited, Scolmore House, Mariner, Lichfield Road Industrial Estate, Tamworth, Staffordshire, B79 7UL United Kingdom

T: +44 (0)1827 300640

E: sales@oviaUK.com | W: oviaUK.com