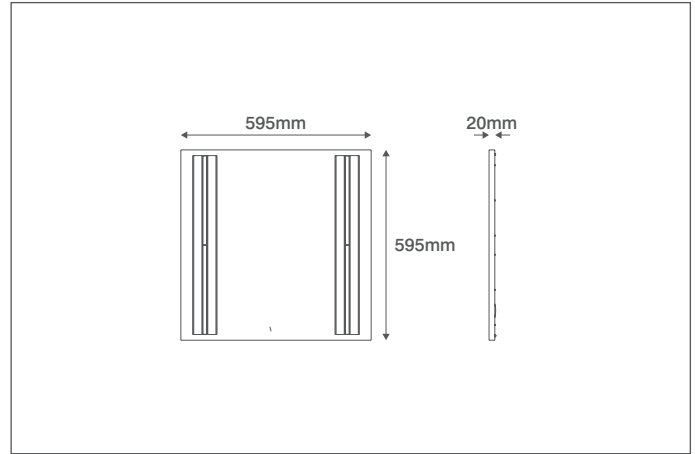
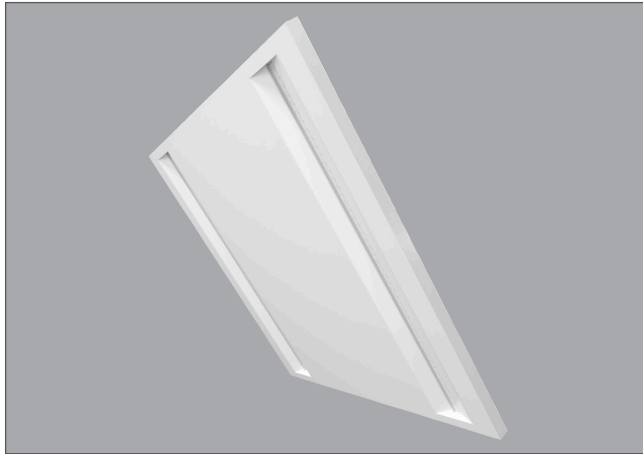


INCEPTOR® SKYLAR UGR16

Technical Specification

Product Code: OV771361CW

Description: 36W 600mm x 600mm Ultra Low-Glare LED Panel - 4000K - White



General Information

Dimensions	595mm (L) x 595mm (W) x 20mm (D)
Materials	Frame: Powdercoated Steel Diffuser: Polycarbonate LED Tray: Powdercoated Steel
Finish	White (RAL 9003)
Product Weight	2.5Kg
Dimmable	No
Ingress Protection	IP20
IK Rating	IK08
Warranty	5 Years

Supply & Power

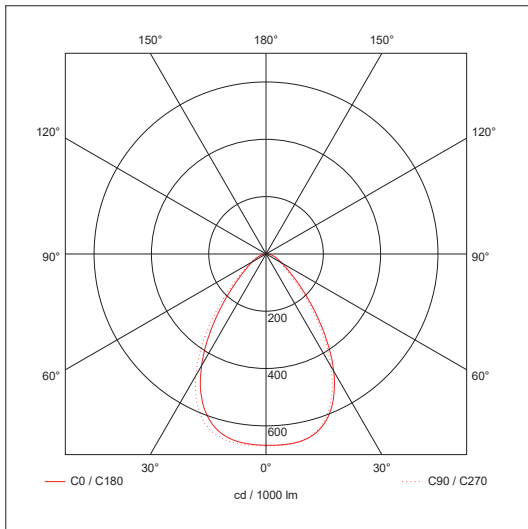
Input Voltage & Frequency	220-240V~ 50Hz
Electrical Safety	Class II (Double Insulated)
Circuit Wattage	36W
Input Current	160mA
In-rush Current	<30A (<0.5S)
Power Factor	>0.9
Ambient Temperature (Ta)	-20°C - +40°C
Critical Temperature	+75°C
LED Driver	Remote Tridonic Driver Supplied
Prewired Flow™ Connector	Yes (3 Pole CT105-F Push-fit Terminals)

Accessories

OVEMCG50	3 Hour Emergency Pack
OVSUSP731	Suspension Wire Kit
OVREC731	600mm x 600mm Recess Frame Kit

Luminaire Output

Colour Temperature	4000K
CRI	>80
Typical Luminous Flux	4320lm
Efficacy	120lm/W
Beam Angle	70°
Unified Glare Rating (UGR)	<16
LED Lifetime (L70)	50,000 Hours
Flicker Free	Yes



Additional Information

Suspension hooks pre-fitted to the back



Ovia Limited, Scolmore House, Mariner, Lichfield Road Industrial Estate, Tamworth, Staffordshire, B79 7UL United Kingdom

T: +44 (0)1827 300640

E: sales@oviaUK.com | W: oviaUK.com