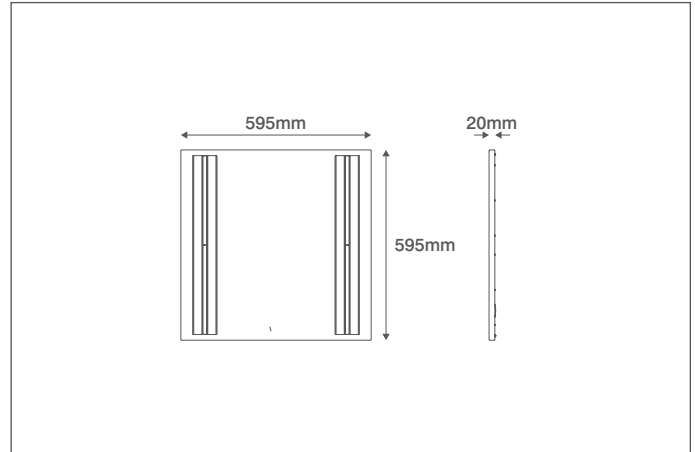
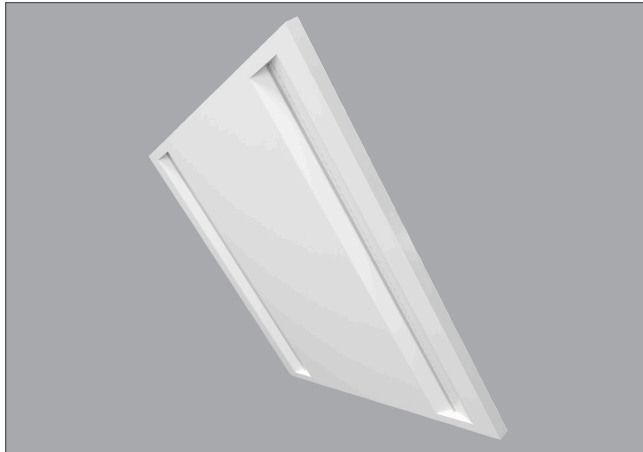


INCEPTOR® SKYLAR UGR16

Technical Specification

Product Code: OV771361CWMF

Description: 36W 600mm x 600mm 3 in 1 Dimmable Ultra Low-Glare LED Panel - 4000K - White



General Information

Dimensions	595mm (L) x 595mm (W) x 20mm (D)
Materials	Frame: Powdercoated Steel Diffuser: Polycarbonate LED Tray: Powdercoated Steel
Finish	White (RAL 9003)
Product Weight	2.5Kg
Dimmable	Yes (DALI, Switch Dim, 1-10V, 10V PWM)
Ingress Protection	IP20
IK Rating	IK08
Warranty	5 Years

Supply & Power

Input Voltage & Frequency	220-240V~ 50/60Hz
Electrical Safety	Class II (Double Insulated)
Circuit Wattage	36W
Input Current	125mA
In-rush Current	<30A (twid=120us measured at 50% Ipeak) @ 230Vac
Power Factor	>0.9
Ambient Temperature (Ta)	-20°C - +40°C
Critical Temperature	+75°C
LED Driver	Remote 3 In 1 Multi-Function Driver Supplied
Input Terminations	Push-fit Terminals

Accessories

OVEMCG50	3 Hour Emergency Pack
OVSUSP731	Suspension Wire Kit
OVREC731	600mm x 600mm Recess Frame Kit

Luminaire Output

Colour Temperature	4000K
CRI	>80
Typical Luminous Flux	4320lm
Efficacy	120lm/W
Beam Angle	70°
Unified Glare Rating (UGR)	<16
LED Lifetime (L70)	50,000 Hours
Flicker Free	Yes

Additional Information

Suspension hooks pre-fitted to the back

Dimming Facility

Control Type	Switch Dim Using Retractive Switch(es)
Switch Dim Voltage	230V~ input to driver
Control Arrangement	Short Press: ON / OFF; Press & Hold: DIM
Control Type	DALI / 1-10V / 10V PWM Dimming
1-10V Parameters	Upto 16 drivers with 20 metres maximum between drivers
1-10V Dimming Information	An additional isolation switch will be required to turn the driver On and Off
Control Type	DALI
DALI Control Line Voltage	9.5V to 22.5V
Connectable Driver	Up To 64 Drivers To One DALI Control Line
Control Line Length (Max.)	100M Max. - 2 x 0.50mm ² 150M Max. - 2 x 0.75mm ² 200M Max. - 2 x 1.00mm ² 300M Max. - 2 x 1.50mm ²

