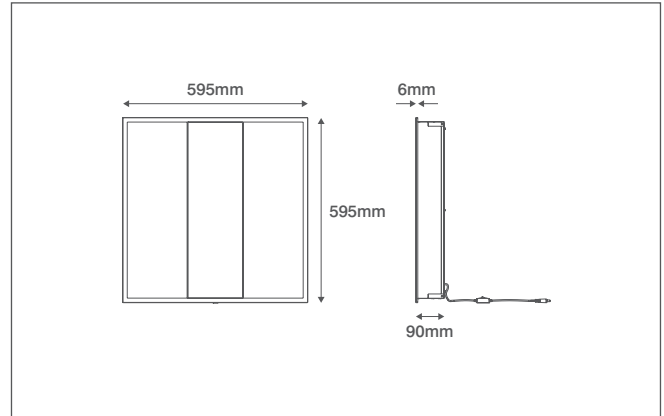


INCEPTOR® TROFA

Technical Specification

Product Code: OV772301CTA

Description: 30W 600mm x 600mm LED Panel - CTA Switchable - White



General Information

Dimensions	595mm (L) x 595mm (W) x 90mm (D)
Materials	Frame: Powdercoated Steel Diffuser: Polycarbonate Back Panel: Powdercoated Steel
Finish	White (RAL 9016)
Product Weight	3.3Kg
Dimmable	No
Ingress Protection	IP20
Flammability Rating	TP(a)
Warranty	5 Years

Supply & Power

Input Voltage & Frequency	220-240V~ 50/60Hz
Electrical Safety	Class II (Double Insulated)
Circuit Wattage	30W
Input Current	140mA
In-rush Current	<30A (<0.5S)
Power Factor	>0.9
Ambient Temperature (Ta)	-20°C - +40°C
Critical Temperature	+75°C
LED Driver	Remote Driver Supplied
Prewired Flow™ Connector	Yes (3 Pole CT105-F Push-fit Terminals)

Luminaire Output

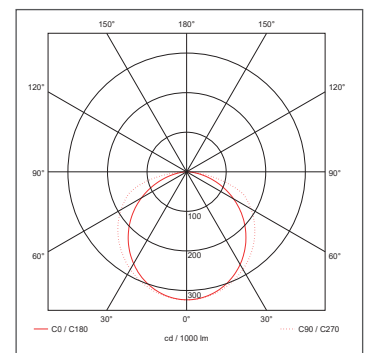
Colour Temperature	3000K	4000K	6000K
Typical Luminous Flux	3000lm	3150lm	3200lm
Efficacy	100lm/W	105lm/W	105lm/W
Beam Angle	120°		
CRI	>80		
Flicker Free	Yes		
LED Lifetime (L70)	30,000 Hours		

Accessories

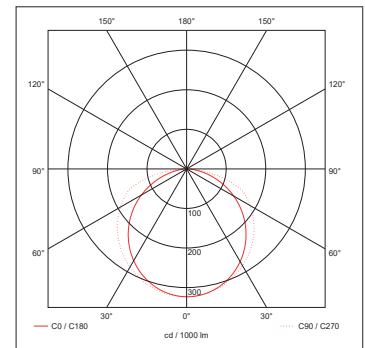
OVEMCG50	3 Hour Emergency Pack
OVCGMF0001	240V~ 29-48W Multi-function Dimmable Constant Current LED Driver (36W Setting)
OVSUSP731	Suspension Wire Kit
OVREC731	600mm x 600mm Recess Frame Kit

Additional Information

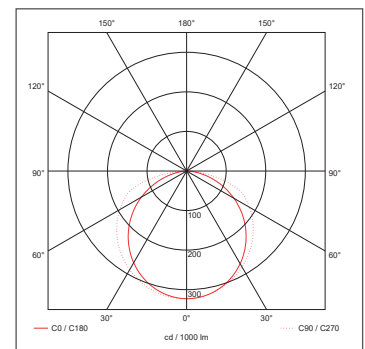
Suspension hooks pre-fitted to the back



3000K



4000K



6000K



Ovia Limited, Scolmore House, Mariner, Lichfield Road Industrial Estate,
Tamworth, Staffordshire, B79 7UL United Kingdom

T: +44 (0)1827 300640

E: sales@oviaUK.com | W: oviaUK.com