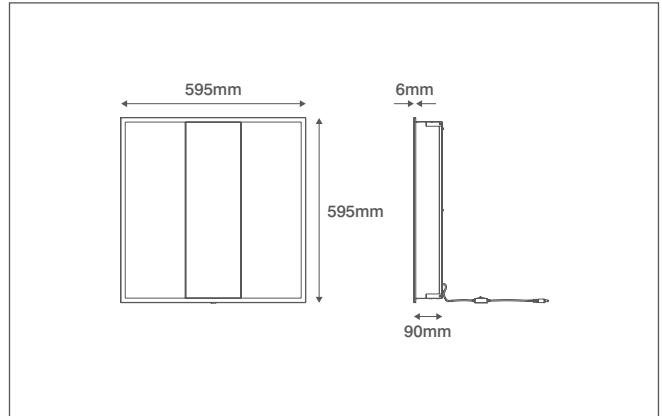


# INCEPTOR® TROFA

## Technical Specification

Product Code: OV772301CTAMF

Description: 30W 600mm x 600mm 3 in 1 Dimmable LED Panel - CTA Switchable - White



### General Information

Dimensions	595mm (L) x 595mm (W) x 90mm (D)
Materials	Frame: Powdercoated Steel Diffuser: Polycarbonate Back Panel: Powdercoated Steel
Finish	White (RAL 9016)
Product Weight	3.3Kg
Dimmable	Yes (DALI, Switch Dim, 1-10V, 10V PWM)
Ingress Protection	IP20
Flammability Rating	TP(a)
Warranty	5 Years

### Supply & Power

Input Voltage & Frequency	220-240V~ 50/60Hz
Electrical Safety	Class II (Double Insulated)
Circuit Wattage	30W
Input Current	125mA
In-rush Current	<30A (Twidth=120us measured at 50% Ipeak) @ 230Vac
Power Factor	>0.9
Ambient Temperature (Ta)	-20°C - +40°C
Critical Temperature	+75°C
LED Driver	Remote 3 In 1 Multi-Function Driver Supplied
Input Terminations	Push-fit Terminals

### Luminaire Output

Colour Temperature	3000K	4000K	6000K
Typical Luminous Flux	3000lm	3150lm	3200lm
Efficacy	100lm/W	105lm/W	105lm/W
Beam Angle	120°		
CRI	>80		
Flicker Free	Yes		
LED Lifetime (L70)	30,000 Hours		

### Dimming Facility

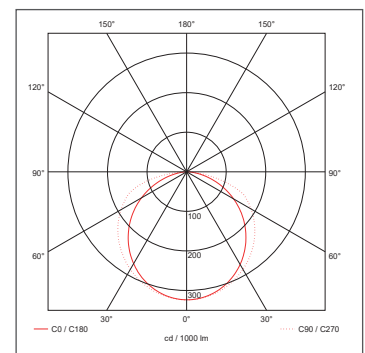
Control Type	Switch Dim Using Retractive Switch(es)
Switch Dim Voltage	230V~ input to driver
Control Arrangement	Short Press: ON / OFF; Press & Hold: DIM
Control Type	1-10V / 10V PWM Dimming
1-10V Parameters	Upto 16 drivers with 20 metres maximum between drivers
1-10V Dimming Information	An additional isolation switch will be required to turn the driver On and Off
Control Type	DALI
DALI Control Line Voltage	9.5V to 22.5V
Connectable Driver	Up To 64 Drivers To One DALI Control Line
Control Line Length (Max.)	100M Max. - 2 x 0.50mm <sup>2</sup> 150M Max. - 2 x 0.75mm <sup>2</sup> 200M Max. - 2 x 1.00mm <sup>2</sup> 300M Max. - 2 x 1.50mm <sup>2</sup>

### Accessories

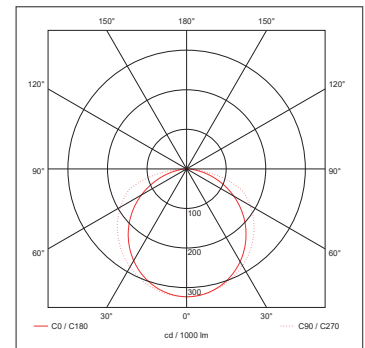
OVEMCG50	3 Hour Emergency Pack
OVSUSP731	Suspension Wire Kit
OVREC731	600mm x 600mm Recess Frame Kit

### Additional Information

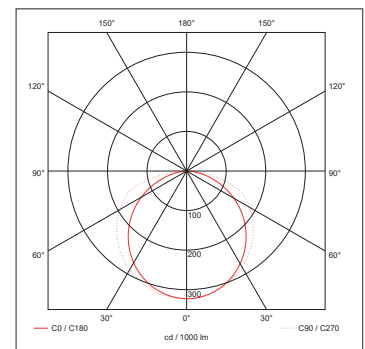
Suspension hooks pre-fitted to the back



3000K



4000K



6000K



OVIA Limited, Scolmore House, Mariner, Lichfield Road Industrial Estate, Tamworth, Staffordshire, B79 7UL United Kingdom

T: +44 (0)1827 300640

E: sales@oviaUK.com | W: oviaUK.com