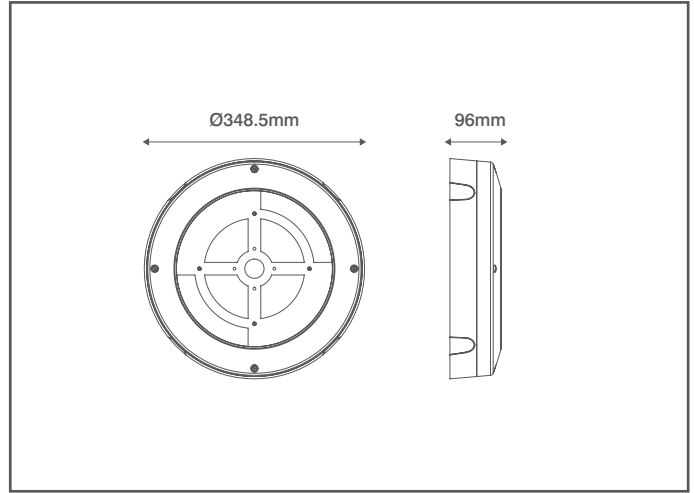
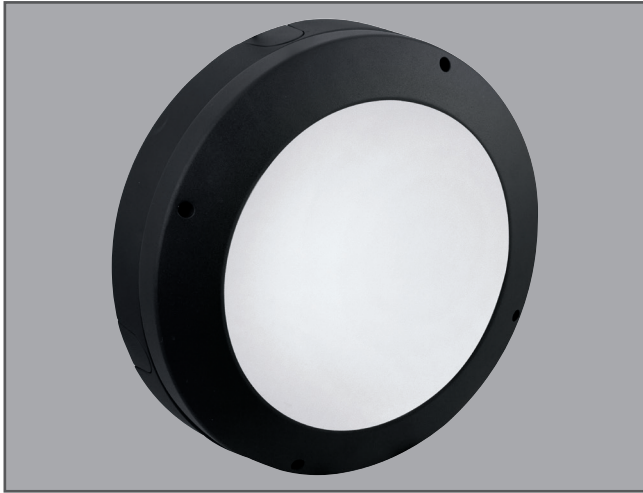


# INCEPTOR® EVO

## Technical Specification

Product Code: OV9001BK

Description: Metal Housing For Inceptor® EVO Utility Bulkhead - Circular - Black



### General Information

Dimensions	348.5mm Diameter x 96mm (D)
Materials	Fascia & Outer Housing: Cast Aluminium Base Plate: Steel
Finish	Black (RAL 9004)
Product Weight	2.61Kg
Compatible Fittings	OV9500 Circular Range
IK Rating	IK10
Mounting	Ceiling or Wall
Warranty	5 Years



OVIA Limited, Scolmore House, Mariner, Lichfield Road Industrial Estate,  
Tamworth, Staffordshire, B79 7UL United Kingdom

T: +44 (0)1827 300640

E: sales@oviaUK.com | W: oviaUK.com

