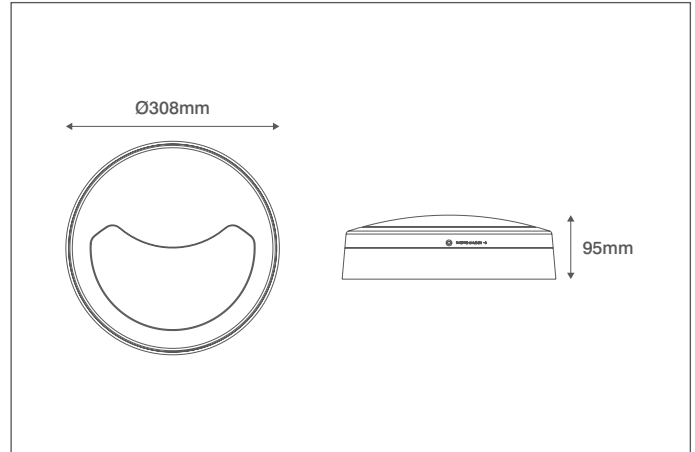


INCEPTOR® EVO

Technical Specification

Product Code: OV9505WH9MS3EMST

Description: 18W LED Utility Eyelid Bulkhead With Microwave & Emergency Self Test - IP65 - 4200K - White



General Information

Dimensions	308mm Diameter x 93mm (D)
Materials	Base, Outer Ring, Circular Facia & Diffuser: Polycarbonate (UV Stabilised) Gear Tray, Driver Housing & Cable Grip: Polycarbonate (UV Stabilised) LED Array: Aluminium Substrate Moisture Seal: Silicone
Finish	White (RAL 9010)
Product Weight	1.89Kg
Cutout	282-286mm Diameter
Corridor Function	Yes (15% Output)
Ingress Protection	IP65
Flammability	Tp(a)
IK Rating	IK08
Mounting	Ceiling or Wall and Surface or Semi-recessed
Warranty	5 Years (4 Years Battery)

Supply & Power

Input Voltage & Frequency	230V~ 50/60Hz
Electrical Safety	Class II (Double Insulated)
LED Wattage	10W
Circuit Wattage	18W
Input Current	107mA
Ambient Temperature (Ta)	-5°C - +45°C
LED Driver	Integrated
Prewired Flow™ Connector	Yes (4 Pole CT203-F Screw Terminals)

Luminaire Output

Colour Temperature	4200K
CRI	68.4
Typical Luminous Flux	607lm
Efficacy	33lm/W
Beam Angle	120°
LED Lifetime (L70)	50,000 Hours

Accessories

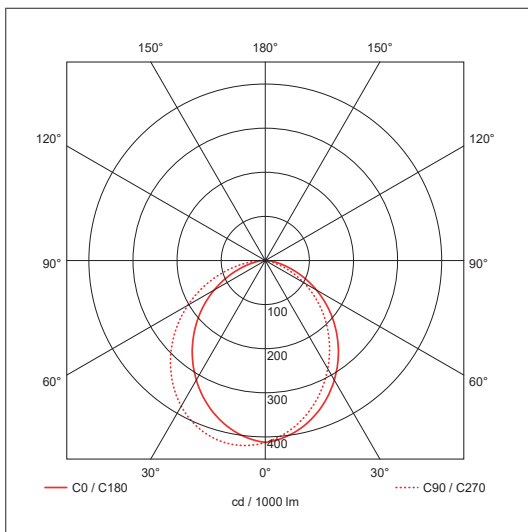
OV9001BK/WH	Circular Metal Housing For Inceptor® EVO - Black or White
OV9002BK/WH	Eyelid Metal Housing For Inceptor® EVO - Black or White
OV9003BK/WH	Grille Metal Housing For Inceptor® EVO - Black or White

Microwave Information

Detection Angle	360°
Detection Distance	10 Metres
Time Delay	8 Seconds to 20 Minutes
Lux Level	2 - 2000 Lux
HF System	5.8GHz CW Radar, ISM Band

Emergency Information

Self Test	Yes
Installation Requirements	Can be wired as maintained or non-maintained
Battery Specification	Ni-Cd 3000mAh 3.6V (Max Cell Temperature 50°C)
Battery Warranty	4 Years
Emergency Duration	3 Hours Minimum



Ovia Limited, Scolmore House, Mariner, Lichfield Road Industrial Estate,
Tamworth, Staffordshire, B79 7UL United Kingdom
T: +44 (0)1827 300640
E: sales@oviaUK.com | W: oviaUK.com

