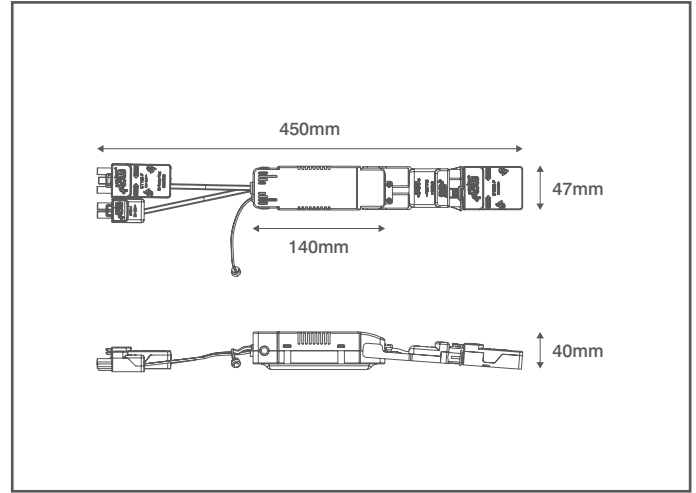
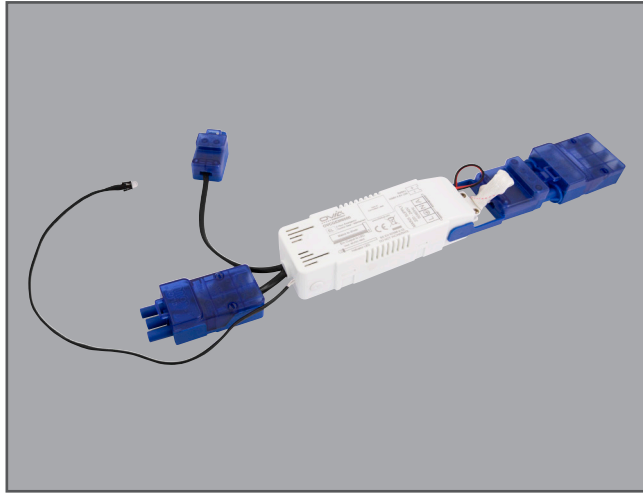


INCEPTOR® IONA

Technical Specification

Product Code: OVCGEM6500

Description: 3 Hour Emergency Control Gear With Prewired Flow™ Connectors



General Information

Dimensions	330mm (L) x 50mm (W) x 40mm (D)
Materials	Housing: Polycarbonate
Product Weight	0.39Kg
Ingress Protection	IP20
Compatible Fittings	Inceptor® Iona Dimmable Range
Warranty	4 Years

Supply & Power

Input Voltage & Frequency	220-240V~ 50/60Hz
Electrical Safety	Class II (Double Insulated)
Rated Power	1.3W
Ambient Temperature (Ta)	0°C - +40°C
Ambient Temperature	+45°C Max.
Prewired Flow™ Connector	Yes (4 Pole CT205-F Push-fit Terminals)

General Information

Power Consumption	1W
Input Current	36mA
Charge Current	100mA
Output Voltage	33V
Output Power	1W
Open Circuit Voltage	33V
Earth Leakage Current	0mA
Battery Specification	4.8V 2000mAh Ni-MH
Battery Cell	4 Cell



OVIA Limited, Scolmore House, Mariner, Lichfield Road Industrial Estate, Tamworth, Staffordshire, B79 7UL United Kingdom

T: +44 (0)1827 300640

E: sales@oviaUK.com | W: oviaUK.com