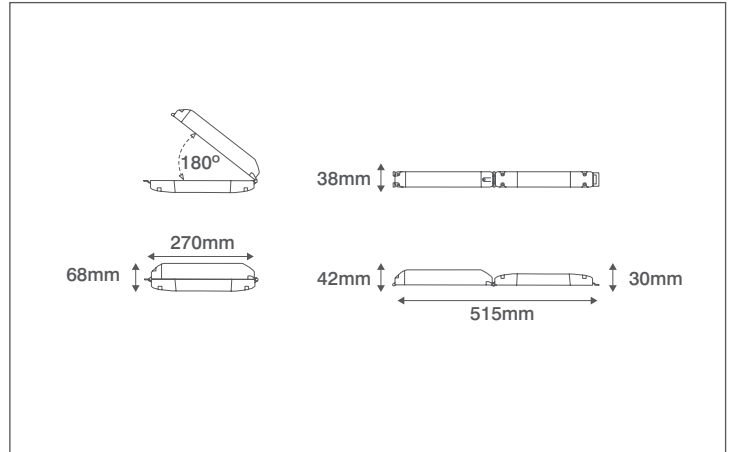


EMERGENCY CONTROL GEAR

Technical Specification

Product Code: OVEMCG2305M3

Description: 3 Hour Universal Emergency Control Gear With Prewired Flow™ Connectors



General Information

Dimensions (Open)	515mm (L) x 38mm (W) x 42mm (D)
Materials	Housing: Polycarbonate
Product Weight	0.65Kg
Ingress Protection	IP20
Compatible Fittings	Inceptor® Nano ⁵ , Pico FG & Pico
Warranty	4 Years

Supply & Power

Input Voltage & Frequency	220-240V ~ 50/60Hz
Electrical Safety	Class II (Double Insulated)
	5.2W
Ambient Temperature (Ta)	-5°C - +40°C

General Information

Power Consumption	4W
Input Current	25mA Max.
Charge Current	70-95mA
Output Voltage	70-250V
Output Current	50mA
Output Power	5.2W
Open Circuit Voltage	260V
LED Voltage Rating	9-200V DC
Earth Leakage Current	<0.5mA
Battery Specification	10.8V 2.2Ah Ni-MH
Battery Cell	9 Cell
Charging Time	48 Hours
Installation Requirements	Can be wired as maintained or non-maintained
Emergency Duration	3 Hours Minimum



OVIA Limited, Scolmore House, Mariner, Lichfield Road Industrial Estate, Tamworth, Staffordshire, B79 7UL United Kingdom

T: +44 (0)1827 300640

E: sales@oviaUK.com | W: oviaUK.com