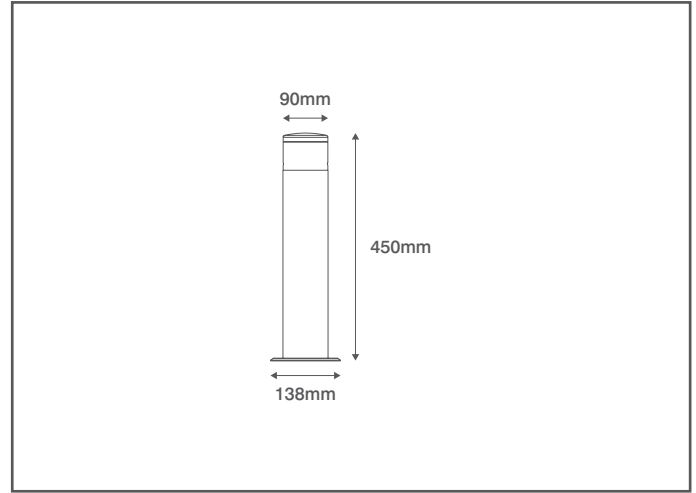


Technical Specification

Product Code: OVOL200BK

Description: 13W Max. GX53 Neo Bollard - IP65 - Black



General Information

Dimensions	90mm Diameter x 450mm (H)
Base Dimension	138mm Diameter
Fixing Dimensions	3 x 4.5mmØ at 94.5mm Hole Centres
Materials	Body: Powdercoated Stainless Steel Diffuser: Polycarbonate
Finish	Black
Product Weight	1.05Kg
Ingress Protection	IP65
Warranty	1 Year

Supply & Power

Input Voltage & Frequency	230V~
Electrical Safety	Class I
Input PowerLamp Wattage	Lamp Dependant13W Max
Termination	3 Pole Screw Terminal Block On Flylead

Luminaire Information

Lamp Type	GX53
Lamp Wattage	13W Max.
Suitable Lamp Types	LED & Compact Fluorescent
Output Information	See information supplied with lamp being installed

