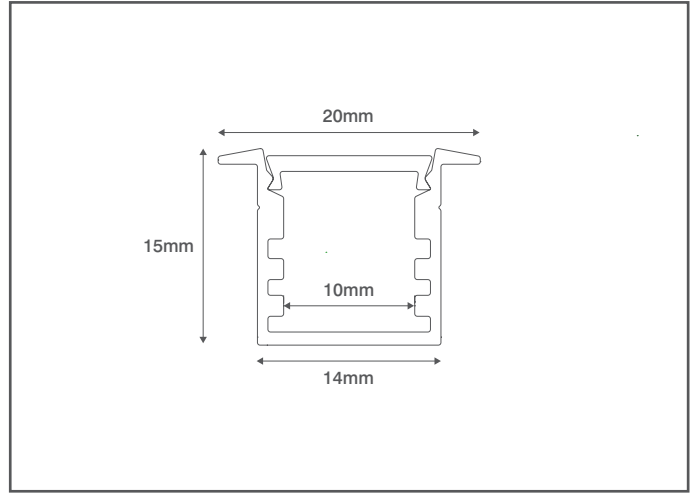
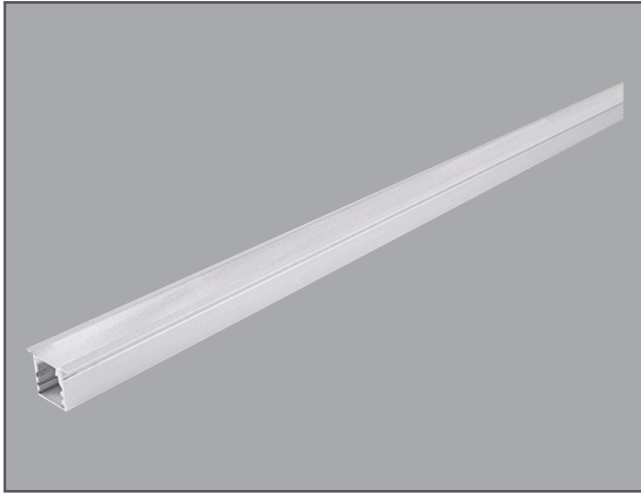


INCEPTOR® INTENSE

Technical Specification

Product Code: OVSRE005

Description: 2M Recessed Mounted Aluminium Profile For IP65 LED Strip – Clear Diffuser



General Information

Dimensions	20mm (W) x 15mm (D) x 2000mm (L)
Materials	Body: Anodised Aluminium 6063 Diffuser: Polycarbonate
Finish	Aluminium
Product Weight	0.42Kg
Ingress Protection	IP20
Warranty	3 Years

Compatible LED Strip

7.2W/M IP65	White 8mm LED Strip
-------------	---------------------

Components Supplied

- Extruded Profile with Diffuser
- 2 x End Caps
- 4 x Mounting Clips & Fixing Screws

