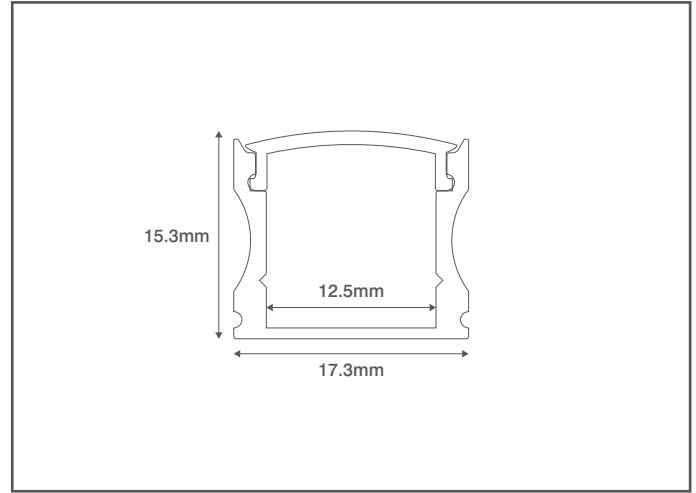
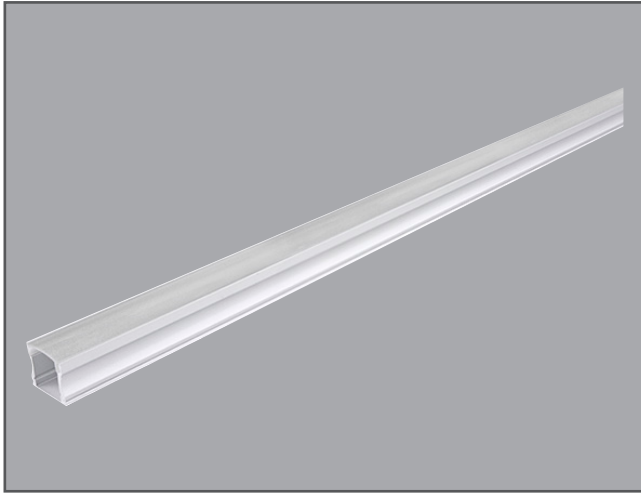


INCEPTOR® INTENSE

Technical Specification

Product Code: OVSSE001

Description: 2M Surface Mounted Aluminium Profile – Clear Diffuser



General Information

Dimensions	17.1mm (W) x 15.3mm (D) x 2000mm (L)
Materials	Body: Anodised Aluminium 6063 Diffuser: Polycarbonate
Finish	Aluminium
Product Weight	0.45Kg
Ingress Protection	IP20
Warranty	3 Years

Compatible LED Strip

7.2W/M IP20	White 8mm LED Strip
7.2W/M IP20	White 12mm RGBW LED Strip
14.4W/M IP20	White 10mm LED Strip
14.4W/M IP20	RGBW 12mm LED Strip

Components Supplied

Extruded Profile with Diffuser
2 x End Caps
4 x Mounting Clips & Fixing Screws



OVIA Limited, Scolmore House, Mariner, Lichfield Road Industrial Estate,
Tamworth, Staffordshire, B79 7UL United Kingdom

T: +44 (0)1827 300640

E: sales@oviaUK.com | W: oviaUK.com

