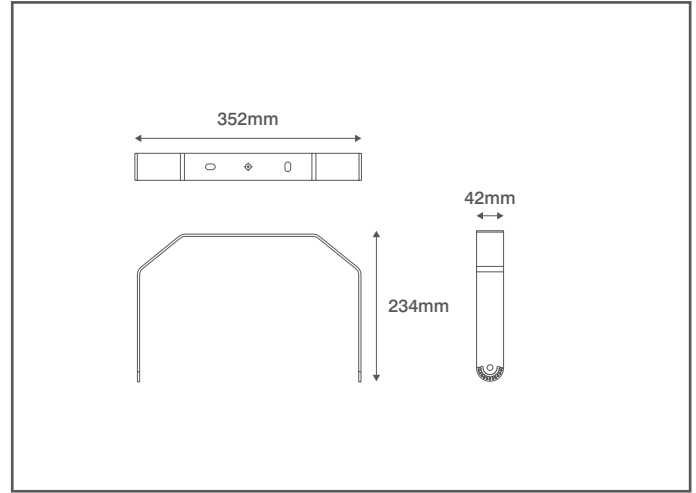
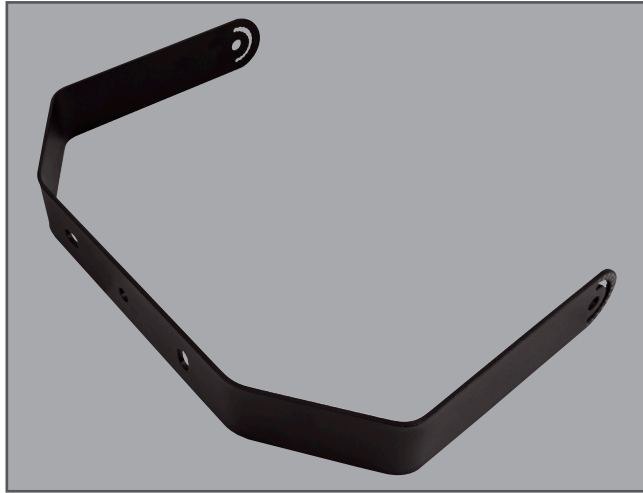


INCEPTOR® HION

Technical Specification

Product Code: OVWB1093

Description: Bracket For 200W Inceptor® Hion Highbay Fitting



General Information

Dimensions	358mm (W) x 216mm (D) x 42mm (T)
Materials	Bracket: Powdercoated SPCC Steel
Finish	Black (RAL 9004)
Product Weight	0.68Kg
Compatible Fittings	OV100200 & OV100200S
Warranty	5 Years



OVIA Limited, Scolmore House, Mariner, Lichfield Road Industrial Estate,
Tamworth, Staffordshire, B79 7UL United Kingdom

T: +44 (0)1827 300640

E: sales@oviaUK.com | W: oviaUK.com