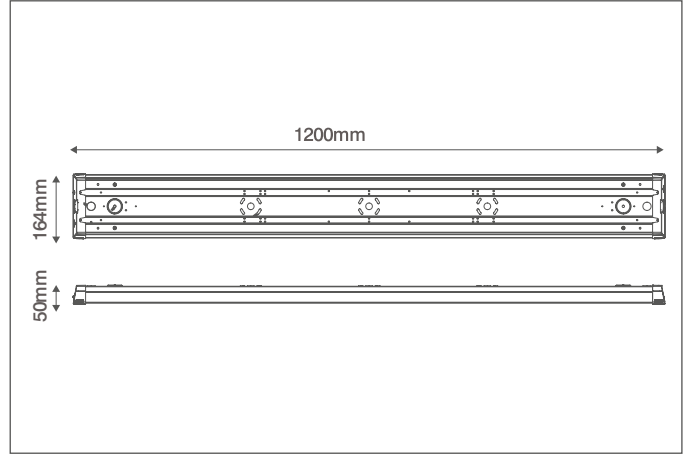
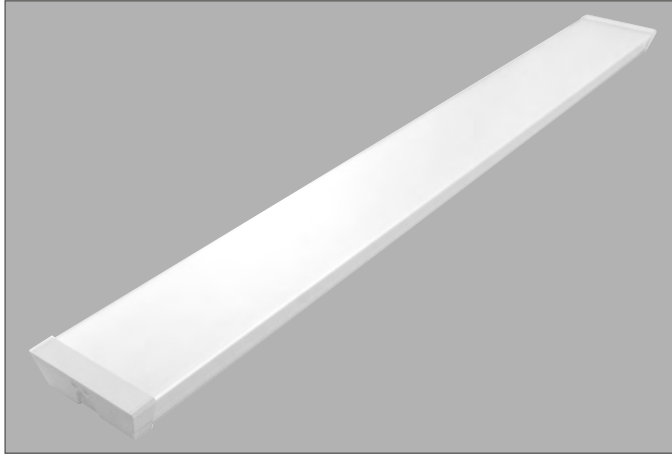


INCEPTOR® RIO

Technical Specification

Product Code: **OXR431-E-MF**

Description: 31W 1200mm Linear Batten LED Luminaire Emergency & Multi-Function Driver



General Information

Dimensions (mm)	1200 (L) x 164 (W) x 50 (D)
Materials	Base: Powder Coated Steel; Opaque Diffuser: Polycarbonate
Colour	(RAL9003)
Base Finish	White
Product Weight (Kg)	2.59
Ingress Protection	IP20, IP44 (if ceiling mounted)
Impact Rating (IK)	06
Flammability Rating	TP(b)
Mounting	Ceiling or Wall
Warranty (Years)	5
Battery Warranty (Years)	3
On Site Warranty	1 Year Unregistered, 2 Year Registered (https://oviauk.com/on_site_warranty)

Luminaire Output

LED Wattage	31
Circuit Wattage	34
Typical Luminous Flux (3000K)	3400
Typical Luminous Flux (4000K)	3560
Typical Luminous Flux (6000K)	3400
Efficacy (3000K)	110
Efficacy (4000K)	115
Efficacy (6000K)	100
Beam Angle (°)	90
Colour Temperatures (K)	3000, 4000, 6000
Flicker Free	Yes
Colour Rendering Index (CRI)	80
Unified Glare Rating (UGR)	<19
LED Lifetime (L70)	100000

Supply & Power Information

Continuous Operating Voltage (AC) (Hz)	220-240 (50/60)
Safety Class	I
Circuit Wattage (W)	34
Input Current (A)	160
Inrush Current	23A (185uS)
Power Factor	>0.9
Output Current (mA)	200/250/300/350
Efficiency (%)	91
Operating Temperature (°C)	0 to +40
Maximum Critical Temperature (°C)	90
Input Terminations	Push-fit Terminals
LED Driver	Integrated

Dimming Information

Dimmable	Yes
Dimming Format	DALI
DALI Voltage (V DC)	9.5V to 22.5V
DALI Connectable Driver	Up To 64 Drivers To One DALI Control Line
DALI Line Length Max.	100M Max. - 2 x 0.50mm ² 150M Max. - 2 x 0.75mm ² 200M Max. - 2 x 1.00mm ² 300M Max. - 2 x 1.50mm ²
Switch Dim Control Type	Switch Dim Using Retractive Switch(es)
Switch Dim Voltage	230V~ input to driver
Switch Dim Control Format	Short Press: ON / OFF; Press & Hold: DIM
Analogue Control Type	1-10V / 10V PWM Dimming
Analogue (1-10V) Parameters	Upto 16 drivers with 20 metres maximum between drivers
Analogue (1-10V) Information	An additional isolation switch will be required to turn the driver On and Off

Compatible Accessories

OSUSY15 - 2 x Y Shaped Suspension Cable for Linear Luminaires
OVEMB7425LI - 7.4V 2500mAh LiFePo4 Battery - Serial

Emergency Backup Information

Emergency Luminous Flux (lm)	250
Installation	Can be wired as maintained or non-maintained
Battery Specification	7.3V 2500mAh LiFePo4
Minimum Duration (Hours)	3
Battery Warranty (Years)	3



OVIA Limited, Scolmore House, Mariner, Lichfield Road Industrial Estate,
Tamworth, Staffordshire, B79 7UL United Kingdom
T: +44 (0)1827 300640
E: sales@oviaUK.com | [W: oviaUK.com](http://oviaUK.com)



CLICK OR SCAN

Catalogue



Section



DoC



Installation



CLICK OR SCAN